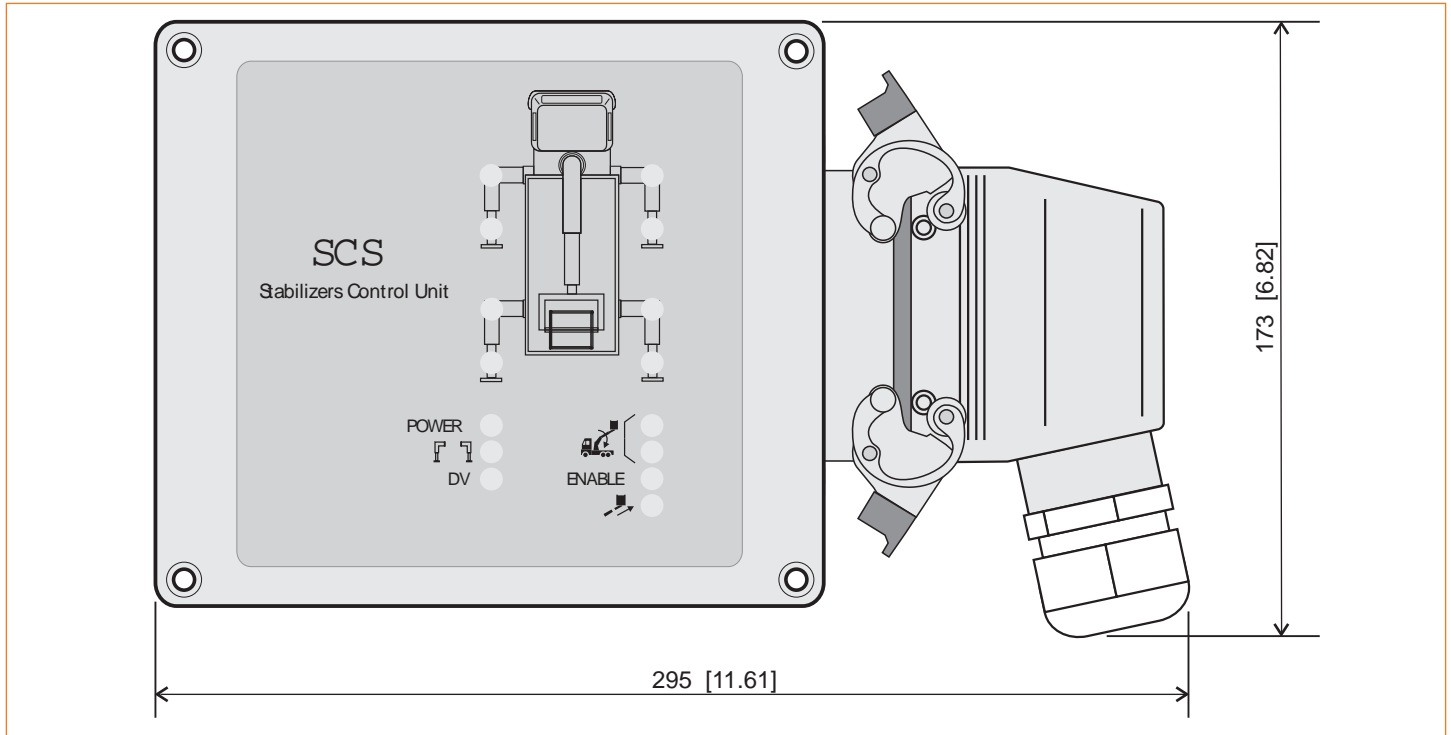


## YSCS STABILIZERS CONTROL DEVICE



### DESCRIPTION

The SCS device is a stabilizers control unit integrated with some auxiliary functions useful for the control of cranes installed on trucks. The core of the unit is a microprocessor based electronic card for the advanced control of the machine, which makes available in one device the following features:

**BYPASS INTERFACE:** control the NO dump valve with a signal compounded of the safety electric signal from the radio remote control and from the torque limiter, maintaining the origin safety characteristics. The NO valve can be commanded both from the remote control and from safety devices installed on the machine (ex. torque limiter).

**STABILIZERS CONTROL:** verify the correct position of the stabilizers and, if the platform is inserted, enable the crane to work only when they are all extended and correctly positioned.

**STABILIZERS BLOCK: class 3 control** that avoids the movements of the stabilizers when the main arm of the crane exceeds the horizontal slope. The stabilizers are blocked with a NO valve when their distributor is separated from the crane distributor, or with a NC valve when the stabilizers are commanded by the same distributor of the crane.

**SPEED REDUCTION:** if this function is not executed by the radio remote control, reduce the speeds of the manoeuvres when the platform is inserted on the crane; the speed reduction is realized through a flow reduction valve.

#### TECHNICAL SPECIFICATIONS

Power supply voltage	10Vdc ÷ 28Vdc
Working temperature range	-20 ÷ +70 °C • -68 ÷ +158 °F
Protection class	IP65
Control unit dimensions	191 x 167 x 75 mm [7.52x6.57x2.95 in] (aluminium box)
Overall dimensions	295 x 173 x 135 mm [11.61x6.82x5.32 in] (box with connector attached)
Output current	max 2.5A for each outp
Current absorption	500 mA + output loads (blade fuse of 7.5A)