



**STEERING
COLUMNS**

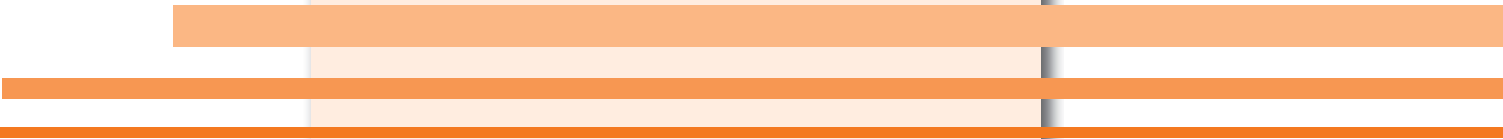


Young Powertech *inc.*

Young Powertech products, delivers solutions and personalized systems capable to satisfy and help professional designers, engineers to plan ergonomic driver places with the most advanced technology and safety.

The ample range of solutions for the mobile and marine field are in line with the highest standards required by the manufacturers. Our objective is to design and supply the most advanced at the same time economic and safe for the construction, farming, marine field.

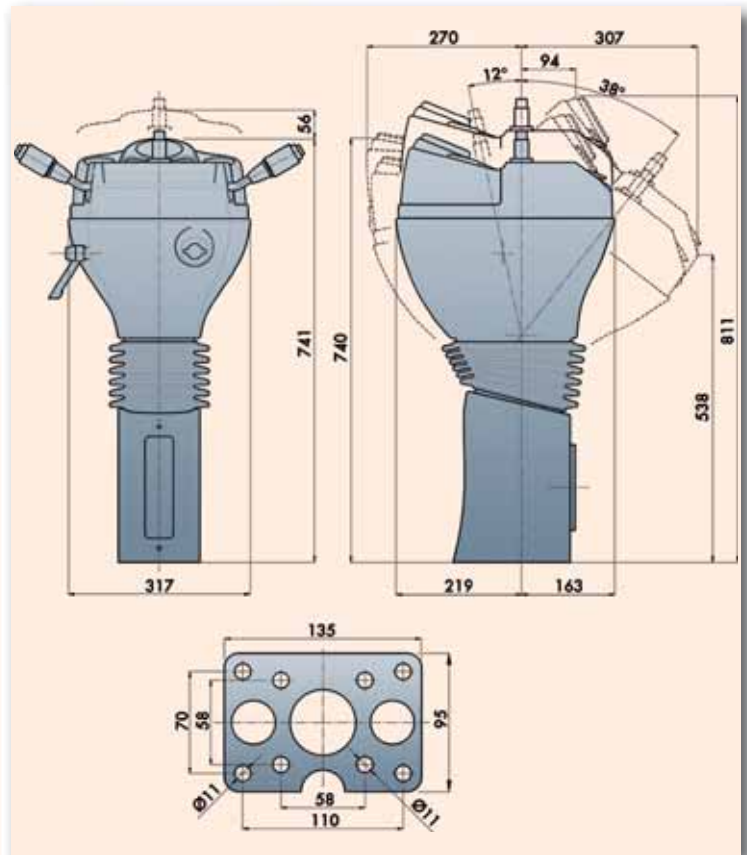
Today, all these equipments require more and more complex systems to control the many functions these have. To guaranty the necessary functions control, Young Powertech has realized a series of products easy to install but technologically advanced for just about every possible application and to be able to satisfy the most complex and demanding application.



CLASSIC



PLUS



Working drivers place with VDO International Instruments, 12 warnings LED lights and 12 switches. Available in different plastic colours: black, anthracite, light grey, light brown. Adjustable in horizontal and in vertical/horizontal positions.

-  — MP 5100
-  — MP 5214
-  — MP 5210
-  — MP 5325

Working drivers place with VDO International Instruments, loud speakers, 12 warnings LED lights and 12 switches.

Working drivers place with VDO International Instruments, radio, loud speakers, 12 warnings LED lights and 6 switches.

Working drivers place with VDO International Instruments, 12 warnings LED lights and 6 switches.



SOUND

3

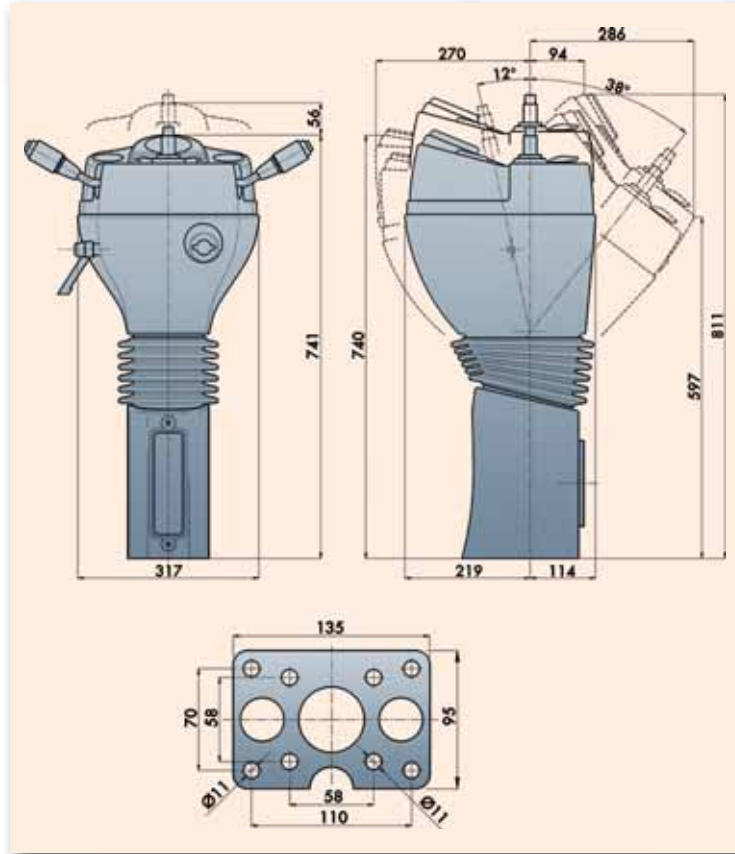


AUDIO



STANDARD

SMART



Working drivers place with CAN Bus Instruments "VDO Can Cockpit", loud speakers, 12 warnings LED lights and 12 switches. Available in different plastic colours: black, anthracite, light grey, light brown. Adjustable in horizontal and in vertical/horizontal positions.



PLUS

Working drivers place with CAN Bus Instruments "VDO Can Cockpit", 12 warnings LED lights and 6 switches.



STANDARD

Working drivers place with CAN Bus Instruments "VDO Can Cockpit", radio, loud speakers, 12 warnings LED lights and 6 switches.



AUDIO

Working drivers place with CAN Bus Instruments "VDO Can Cockpit", loud speakers, 12 warnings LED lights and 12 switches.



SOUND

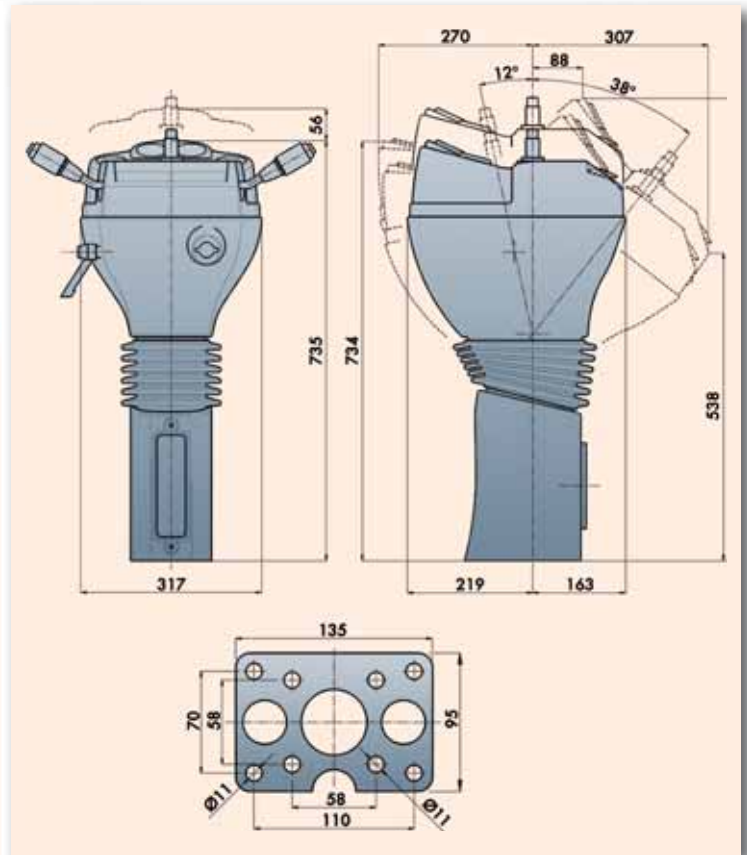


loud speakers

INTERNATIONAL



PLUS



Working drivers place with 4 VDO International Instruments, 24 warnings LED lights and 12 switches. Available in different plastic colours: black, anthracite, light grey, light brown. Adjustable in horizontal and in vertical/horizontal positions.



Working drivers place with 4 VDO International Instruments, loud speakers, 24 warnings LED lights and 12 switches.

Working drivers place with 4 VDO International Instruments, radio, loud speakers, 24 warnings LED lights and 6 switches.

Working drivers place with 4 VDO International Instruments, 24 warnings LED lights and 6 switches.



loud speakers



SOUND

5

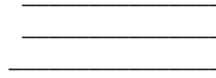


AUDIO



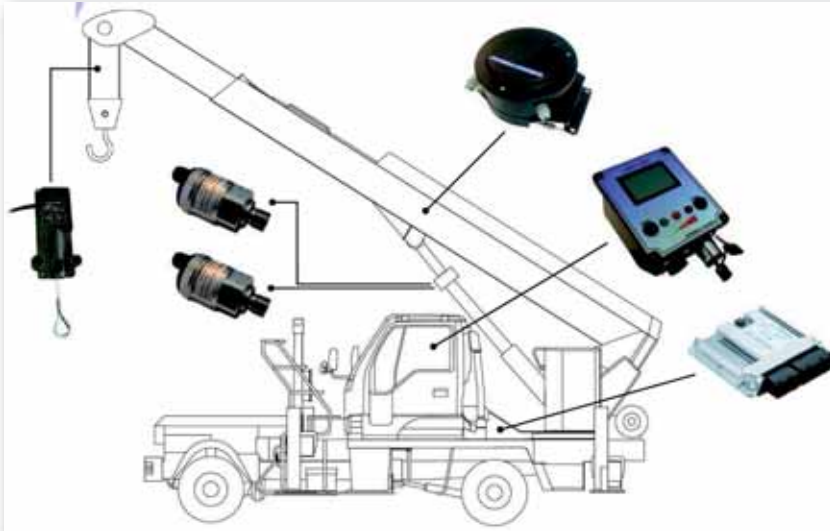
STANDARD

MINI



PLUS

LIMIT ONE



The load limiter, LIMIT-ONE is a system produced by UNIVERSAL CONTROLS, which, by exploiting the benefits of modern and powerful technologies, ensures a high standard of quality and reliability through the use of electronics that has been certified by TUV safety-critical according to IEC 61508 SIL2. The potential of the system is also supported and complemented by CODESYS considered today the best software development environment that combines ease of use and versatility in applications

TECHNICAL DATA	
OPERATING TEMPERATURE	-40°T0+ 85°
OPERATING ALTITUDE	0 TO 4000
SUPPLY VOLTAGE	9 TO 32
PEAK VOLTAGE	45
TECHNOLOGY	CAN BUS
FUNCTIONAL SAFETY	IEC 61508 SIL 2
VIBRATION, SCHOCK, BUMP	IEC 68-2-64, -27, -29, -6
EHC	ISO/DIS 13766

Young Powertech inc.





Young Powertech Inc
3060 Plaza Drive # 107
Garnet Valley PA 19060
Tel: (610) 558-0760
Fax: (610) 558-0762
e-mail: info@yptius.com