

## SPECIFICATION DATA

For individual motor performance chart consult equivalent YME2 series data.

DISTRIBUTION TYPE		YMJ 65	YMJ 80	YMJ 100	YMJ 125	YMJ 160	YMJ 200	YMJ 230	YMJ 250	YMJ 295	YMJ 315	YMJ 375	
GEOMETRIC DISPLACEMENT	[in <sup>3</sup> ./rev.]	[4.08]	[4.97]	[6.20]	[7.75]	[9.60]	[11.82]	[13.80]	[15.69]	[17.57]	[19.20]	[22.58]	
	cm <sup>3</sup> /rev.	66.8	81.3	101.6	127	157.2	193.6	226	257	287.8	314.5	370	
MAX. SPEED RPM	RATED	490	410	330	265	210	175	195	170	155	135	120	
	CONT.	667	543	439	350	283	229	247	216	196	178	152	
	INT.	842	689	553	441	355	289	328	287	254	235	199	
MAX. TORQUE [IN. LB.] N*M	RATED	[IN. LB.]	[973]	[1203]	[1459]	[1893]	[2317]	[2759]	[2812]	[2910]	[3078]	[3219]	[3290]
		N*M	110	136	165	214	262	312	318	329	348	364	372
	CONT.	[IN. LB.]	[1114]	[1389]	[1689]	[2167]	[2715]	[3378]	[3343]	[3370]	[3476]	[3962]	[3883]
		N*M	126	157	191	245	307	382	378	381	393	448	439
	INT.	[IN. LB.]	[1557]	[1901]	[2370]	[2963]	[3732]	[4599]	[4670]	[4802]	[4838]	[5191]	[5421]
		N*M	176	215	268	335	422	520	528	543	547	587	613
MAX. OUTPUT [HP] KW	RATED	[HP]	[7.4]	[8.2]	[7.9]	[8.3]	[8.2]	[7.8]	[8.6]	[8.0]	[7.8]	[7.0]	[6.7]
		KW	5.5	6.1	5.9	6.22	6.1	5.8	6.4	6	5.8	5.2	5
	CONT.	[HP]	[11.1]	[11.8]	[10.6]	[11.9]	[11.9]	[12.0]	[13.3]	[12.5]	[11.7]	[10.7]	[10.2]
		KW	8.3	8.8	7.9	8.9	8.9	9	9.9	9.3	8.7	8	7.6
	INT.	[HP]	[18.6]	[19.3]	[18.1]	[18.9]	[20.9]	[21.0]	[24.0]	[22.1]	[20.9]	[19.2]	[18.8]
		KW	13.9	14.4	13.5	14.1	15.6	15.7	17.9	16.5	15.6	14.3	14
MAX. PRESSURE DROP [PSI] MPa	RATED	[PSI]	[1813]	[1813]	[1813]	[1813]	[1813]	[1813]	[1595]	[1450]	[1305]	[1305]	[1160]
		MPa	12.5	12.5	12.5	12.5	12.5	12.5	11	10	9	9	8
	CONT.	[PSI]	[2030]	[2030]	[2030]	[2030]	[2030]	[2030]	[1740]	[1595]	[1450]	[1450]	[1305]
		MPa	14	14	14	14	14	14	12	11	10	10	9
	INT.	[PSI]	[2755]	[2755]	[2755]	[2755]	[2755]	[2755]	[2393]	[2248]	[2103]	[1958]	[1813]
		MPa	19	19	19	19	19	19	16.5	15.5	14.5	13.5	12.5
	PEAK	[PSI]	[2900]	[2900]	[2900]	[2900]	[2900]	[2900]	[2610]	[2610]	[2465]	[2320]	[2320]
		MPa	20	20	20	20	20	20	18	18	17	16	16
MAX. FLOW [GPM] L/MIN	RATED	[GPM]	[8.9]	[8.9]	[8.9]	[8.9]	[8.9]	[8.9]	[11.8]	[11.8]	[11.8]	[11.8]	[11.8]
		L/MIN	34	34	34	34	34	34	45	45	45	45	45
	CONT.	[GPM]	[11.8]	[11.8]	[11.8]	[11.8]	[11.8]	[11.8]	[15.0]	[15.0]	[15.0]	[15.0]	[15.0]
		L/MIN	45	45	45	45	45	45	57	57	57	57	57
	INT.	[GPM]	[15.1]	[15.1]	[15.1]	[15.1]	[15.1]	[15.1]	[19.82]	[19.82]	[19.82]	[19.82]	[19.82]
		L/MIN	57	57	57	57	57	57	75	75	75	75	75

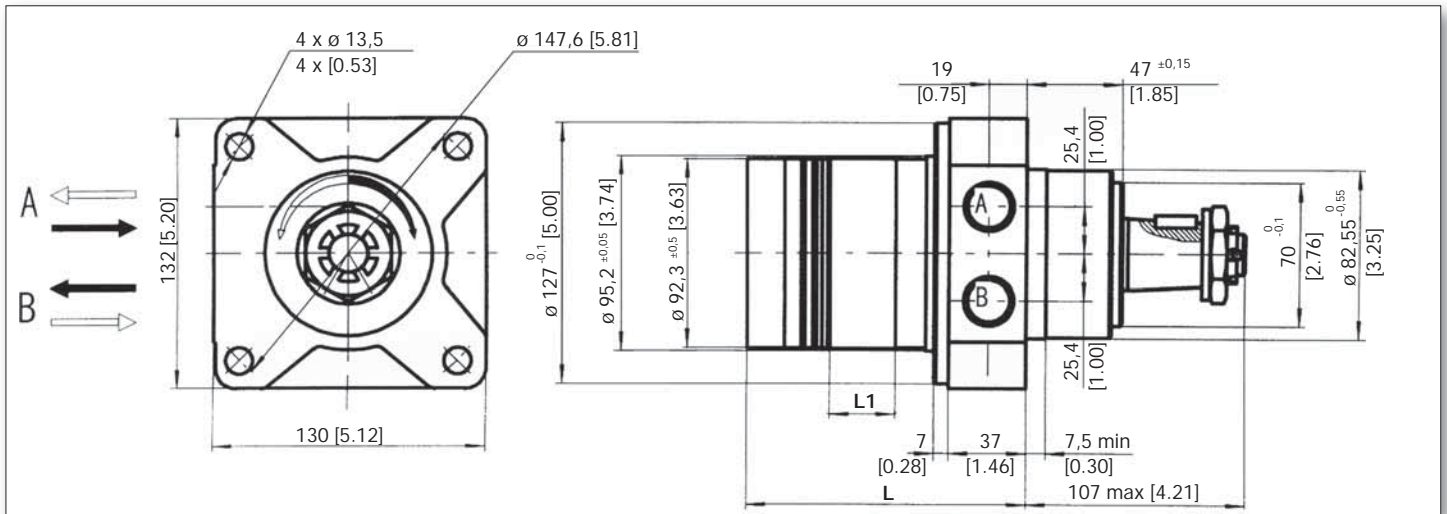
- Rated speed and rated torque: Output value of speed and torque under rated flow and rated pressure.
- Continuous pressure: Max. value of operating motor continuously.
- Intermittent pressure: Max. value of operating motor in 6 seconds per minute.
- Peak pressure: Max. value of operating motor in 0.6 second per minute.

## DIMENSION AND MOUNTING DATA

Code: WS Ports A & B 7/8-14 O-ring

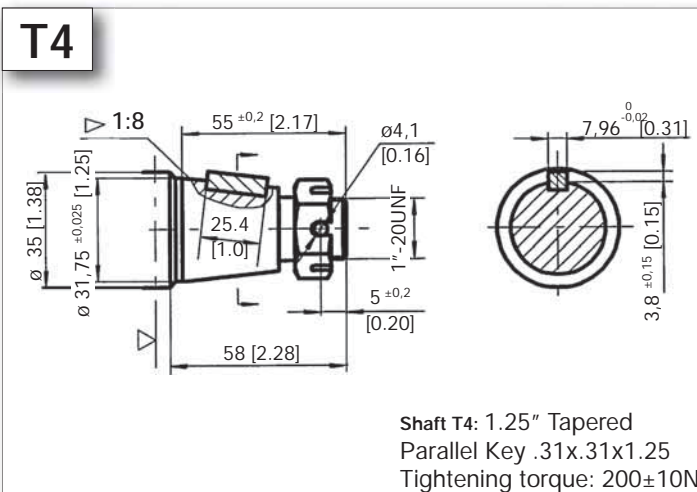
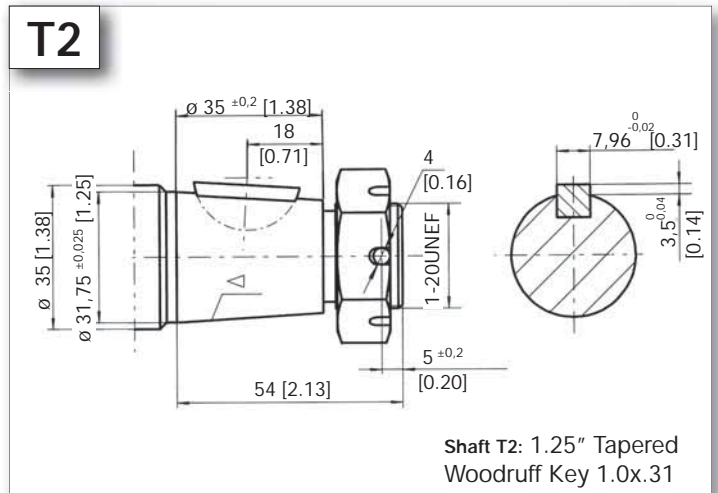
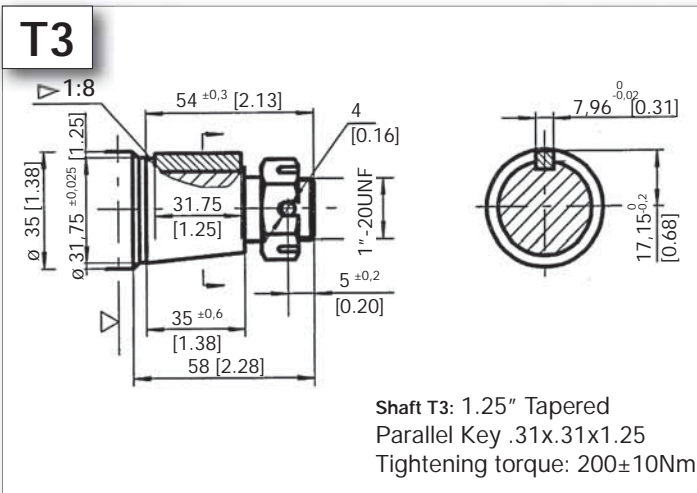
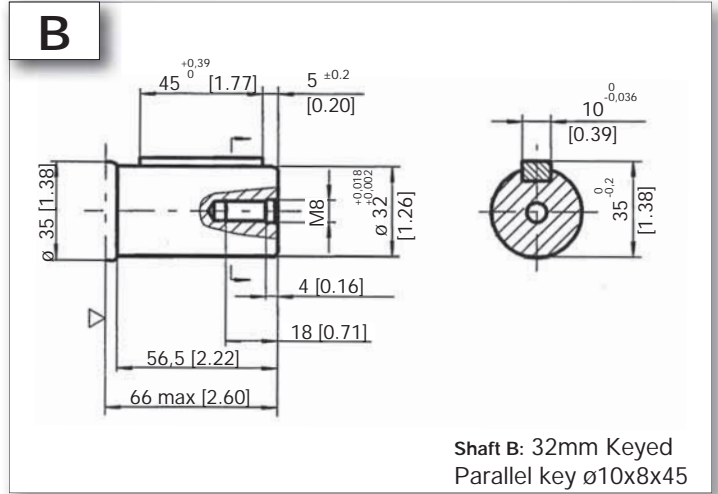
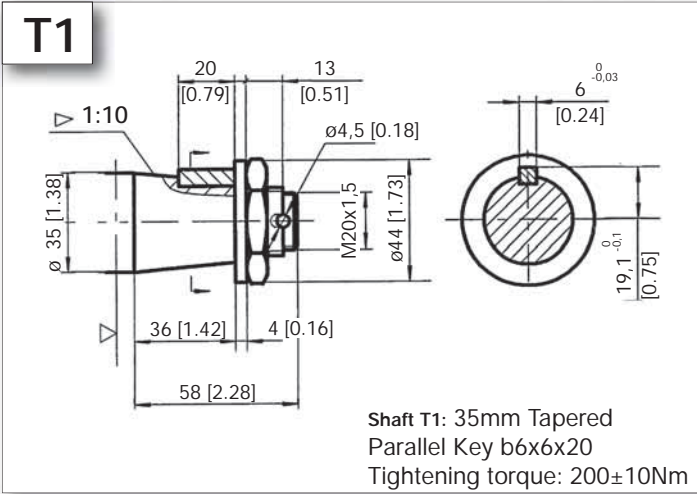
Code: WD Ports A & B G1/2

Code: WM Ports A & B M22X1.5



DISPLACEMENT CM <sup>3</sup> /REV	65	80	100	125	160	200	230	250	295	315	375
L1 (inches)	[0.51]	[0.63]	[0.79]	[0.98]	[1.20]	[1.50]	[1.73]	[1.97]	[2.20]	[2.44]	[2.91]
L1 (mm)	13	16	20	25	30.5	38.1	44	50	56	62	74
L (inches)	[4.53]	[4.65]	[4.80]	[5.00]	[5.22]	[5.51]	[5.75]	[5.98]	[6.22]	[6.46]	[6.85]
L (mm)	115	118	122	127	132.5	140	146	152	158	164	174
WEIGHT (lb)	[19.8]	[20.0]	[22.8]	[23.3]	[23.9]	[24.8]	[25.9]	[26.8]	[27.72]	[28.3]	[29.4]
WEIGHT (KG)	9	9.1	10.4	10.6	10.9	11.3	11.8	12.2	12.6	12.9	13.4

## SHAFT EXTENSION



## ORDERING INFORMATION

	1	2	3	4	5	6
YMJ						

1	2		3		4		5		6	
DISP.	FLANGE		OUTPUT SHAFT		ROTATION DIRECTION		PAINT		SPECIAL OPTIONS	
65	WS	Wheel Flange: Pilot 3.25x.28 Ports 7/8-14 o-ring 4-13.5 Bolt Holes	T1	SHAFT: 35MM Tapered Parallel Key B6X6X20	NONE	STAN- DARD	00	NO PAINT	NONE	STANDARD
80	WD	Wheel Flange: Pilot 3.25x.28 Ports G1/2 4-13.5 Bolt Holes	T2	SHAFT: 1.25 Tapered Woodruff Key 1.0x.31	R	REVERSE	NONE	BLUE	FR	FREE RUNNING
100	WM	Wheel Flange: Pilot 3.25x.28 Ports M22x1.5	T3	SHAFT: 1.25 Tapered Parallel Key .31x.31x1.25			B	BLACK	LL	LOW LEAKAGE
125			T4	SHAFT: 1.25 Tapered Parallel Key .31x.31x1.0			S	SILVER GRAY	LSV	LOW SPEED VALVE
160			B	SHAFT: 32mm Keyed Parallel Key 10x8x45					CRS	CORROSION RESISTANT
200									HPS	HIGH PRESSURE SEAL
230									HTS	HIGH TEMP SEAL
250										
295										
315										
375										

Ordering Code:

All options have been determined with letters or numbers or combinations. All boxes must be filled with proper code. If specification is not in the table, please contact us with your specific requirements.