

SPECIFICATION DATA

DISTRIBUTION TYPE		YMP 36	YMP 50	YMP 80	YMP 100	YMP 125	YMP 160	YMP 200	YMP 250	YMP 315	YMP 400	
GEOMETRIC DISPLACEMENT	[in ³ ./rev.]	[2.20]	[3.15]	[4.74]	[5.87]	[7.19]	[9.49]	[11.59]	[14.10]	[19.01]	[23.57]	
	cm ³ /rev.	36	51.7	77.7	96.2	117.9	155.5	189.9	231	311.7	386.2	
MAX. SPEED RPM	RATED	1050	850	650	520	390	310	260	200	156	130	
	CONT.	1078	879	740	589	475	370	296	237	189	149	
	INT.	1210	975	827	673	594	463	370	297	236	185	
MAX. TORQUE [LB. IN.] N*M	RATED	[LB. IN.]	[486]	[716]	[1141]	[1424]	[1786]	[1804]	[2291]	[2874]	[3051]	[3847]
		N*M	55	81	129	161	202	204	259	325	345	435
	CONT.	[LB. IN.]	[486]	[716]	[1141]	[1423]	[1786]	[2167]	[2529]	[3184]	[3591]	[4847]
		N*M	55	81	129	161	202	245	286	360	406	435
	INT.	[LB. IN.]	[672]	[955]	[1512]	[1884]	[2370]	[3025]	[3449]	[4033]	[4466]	[4714]
		N*M	76	108	171	213	268	342	390	456	505	533
MAX. OUTPUT [HP] KW	RATED	[HP]	[8]	[9]	[12]	[12]	[11]	[9]	[9]	[7]	[8]	
		KW	6	7	8.6	8.6	8	6.5	6.9	6.6	5.5	5.8
	CONT.	[HP]	[8]	[9]	[12]	[12]	[12]	[12]	[11]	[11]	[10]	[10]
		KW	6	7	9.1	9	9.1	8.7	8.1	8.2	7.2	6.1
	INT.	[HP]	[10]	[12]	[16]	[16]	[16]	[16]	[15]	[14]	[12]	[10]
		KW	8	8.9	11.8	11.9	11.8	11.9	10.9	10.1	8.6	7.2
MAX. PRES-SURE DROP [PSI] MPa	RATED	[PSI]	[1812]	[1812]	[1812]	[1812]	[1812]	[1450]	[1450]	[1450]	[1232]	[1232]
		MPa	12.5	12.5	12.5	12.5	12.5	10	10	10	8.5	8.5
	CONT.	[PSI]	[1812]	[1812]	[1812]	[1812]	[1812]	[1812]	[1595]	[1595]	[1595]	[1450]
		MPa	12.5	12.5	12.5	12.5	12.5	12.5	11	11	11	10
	INT.	[PSI]	[2392]	[2392]	[2392]	[2392]	[2392]	[2392]	[2392]	[2030]	[1812]	[1522]
		MPa	16.5	16.5	16.5	16.5	16.5	16.5	16.5	14	12.5	10.5
	PEAK	[PSI]	[2392]	[2392]	[2392]	[2392]	[2392]	[2392]	[2392]	[2030]	[1812]	[1522]
		MPa	16.5	16.5	16.5	16.5	16.5	16.5	16.5	14	12.5	10.5
MAX. FLOW [GPM] L/MIN	RATED	[GPM]	[10.4]	[11.8]	[14.5]	[14.5]	[14.5]	[14.5]	[14.5]	[14.5]	[14.5]	
		L/MIN	40	45	55	55	55	55	55	55	55	
	CONT.	[GPM]	[10.4]	[11.8]	[15.8]	[15.8]	[15.8]	[15.8]	[15.8]	[15.8]	[15.8]	[15.8]
		L/MIN	40	45	60	60	60	60	60	60	60	60
	INT.	[GPM]	[11.8]	[13.2]	[19.8]	[19.8]	[19.8]	[19.8]	[19.8]	[19.8]	[19.8]	[19.8]
		L/MIN	45	50	75	75	75	75	75	75	75	75
WEIGHT [LB] KG	[LB]	[12]	[12]	[13]	[13]	[13]	[14]	[14]	[15]	[15]	[16]	
	KG	5.6	5.6	5.7	5.9	6	6.2	6.4	6.6	6.9	7.4	

- * Rated speed and rated torque: Output value of speed and torque under rated flow and rated pressure.
- * Continuous pressure: Max. value of operating motor continuously.
- * Intermittent pressure: Max. value of operating motor in 6 seconds per minute.
- * Peak pressure: Max. value of operating motor in 0.6 second per minute.

PERFORMANCE DATA

YMP 36 [2.19 in³/rev] 36 cm³/rev.

		[435]	[870]	[1015]	[1160]	[1450]	[1595]	[1813]	[2493]	[PSI]	Max cont.	Max int.
		3	6	7	8	10	11	12	16.5	MPa		
GPM	[2.1]	[115]	[212]	[256]	[301]	[380]	[424]	[486]	[654]			
	L/min	13	24	29	34	43	48	55	74			
L/min	8	214	205	200	194	187	179	168	138			
	[4.0]	[115]	[221]	[256]	[301]	[380]	[424]	[495]	[663]	TORQUE (LB-IN)		
Flow (L/min)	15	406	398	391	383	374	353	353	324	TORQUE (N·M)		
	[5.3]	[115]	[212]	[256]	[301]	[380]	[424]	[495]	[627]	SPEED (RPM)		
L/min	20	13	24	29	34	43	48	56	76			
	30	541	534	528	521	513	500	486	458			
L/min	[7.9]	[106]	[212]	[256]	[301]	[380]	[424]	[495]	[672]			
	30	12	24	29	34	43	48	56	76			
L/min	30	814	804	792	778	763	749	726	701			
	[9.2]	[106]	[203]	[248]	[301]	[380]	[424]	[495]	[672]			
L/min	35	12	23	28	34	43	48	56	76			
	35	952	944	930	913	897	879	858	833			
Max cont.	[11.9]	[106]	[203]	[248]	[283]	[362]	[415]	[486]	[663]			
	45	12	23	28	32	41	47	55	75	Max cont.		
Max int.	[13.2]	[97]	[194]	[230]	[283]	[362]	[407]	[477]	[654]			
	50	11	22	26	32	41	46	54	74	Max int.		
		1232	1218	1196	1175	1149	1118	1080	1044			

YMP 50 [3.15 in³/rev] 51.7 cm³/rev.

		[435]	[870]	[1015]	[1160]	[1450]	[1595]	[1813]	[2393]	[PSI]	Max cont.	Max int.
		3	6	7	8	10	11	12	16	MPa		
GPM	[2.1]	[150]	[336]	[389]	[442]	[557]	[619]	[699]	[920]			
	L/min	17	38	44	50	63	70	79	104			
L/min	8	154	149	144	141	135	129	123	92			
	[4.0]	[168]	[336]	[389]	[442]	[566]	[628]	[708]	[929]	TORQUE (LB-IN)		
Flow (L/min)	15	292	286	238	277	273	267	262	231	TORQUE (N·M)		
	[5.3]	[150]	[336]	[389]	[451]	[566]	[628]	[708]	[946]	SPEED (RPM)		
L/min	20	17	38	44	51	64	71	80	107			
	30	390	385	382	376	374	367	360	332			
L/min	[7.9]	[142]	[327]	[389]	[442]	[566]	[628]	[716]	[955]			
	30	16	37	44	50	64	71	81	108			
L/min	30	586	579	572	568	562	556	546	516			
	[9.2]	[133]	[318]	[380]	[442]	[557]	[628]	[708]	[946]			
L/min	35	15	36	43	50	63	71	80	107			
	35	683	675	670	663	656	647	641	614			
Max cont.	[11.9]	[124]	[301]	[371]	[433]	[557]	[619]	[708]	[946]			
	45	14	34	42	49	63	70	80	107	Max cont.		
Max int.	[13.2]	[115]	[292]	[363]	[425]	[548]	[601]	[699]				
	50	13	33	41	48	62	68	79		Max int.		
		975	962	955	949	943	937	927				

YMP 80 [4.74 in³/rev] 77.7 cm³/rev.

		[435]	[870]	[1015]	[1160]	[1450]	[1595]	[1814]	[2394]	[PSI]	Max cont.	Max int.
		3	6	7	8	10	11	12	16	MPa		
GPM	[2.1]	[256]	[531]	[619]	[708]	[893]	[982]	[1132]	[1486]			
	L/min	29	60	70	80	101	111	128	168			
L/min	8	97	94	91	88	84	79	74	50			
	[4.0]	[256]	[539]	[628]	[716]	[893]	[1008]	[1141]	[1503]	TORQUE (LB-IN)		
Flow (L/min)	15	184	181	178	175	171	167	162	140	TORQUE (N·M)		
	[5.3]	[248]	[531]	[628]	[716]	[893]	[931]	[1141]	[1503]	SPEED (RPM)		
L/min	20	28	60	71	81	101	112	129	170			
	30	247	243	241	238	235	231	225	205			
L/min	[7.9]	[221]	[515]	[610]	[699]	[884]	[982]	[1132]	[1512]			
	30	25	58	69	79	100	111	128	171			
L/min	30	370	366	363	360	356	351	346	323			
	[9.2]	[212]	[504]	[601]	[690]	[876]	[973]	[1114]	[1512]			
L/min	35	24	57	68	78	99	110	126	171			
	35	432	427	424	421	416	412	407	387			
L/min	[11.9]	[195]	[478]	[584]	[681]	[858]	[964]	[1097]	[1495]			
	45	22	54	66	77	97	109	124	169			
L/min	45	555	550	546	542	538	532	528	503			
	[13.2]	[177]	[469]	[566]	[633]	[849]	[946]	[1088]	[1486]			
L/min	50	20	53	64	75	96	107	123	168			
	50	616	609	606	603	599	594	588	561			
Max cont.	[15.8]	[168]	[460]	[557]	[654]	[840]	[946]	[1088]	[1486]			
	60	19	52	63	74	95	107	123	168	Max cont.		
Max int.	[19.8]	[142]	[416]	[522]	[637]	[805]	[929]	[1070]				
	75	16	47	59	72	91	105	121		Max int.		
		827	820	817	813	808	804	796				

YMP 100 [5.87 in³/rev] 96.2 cm³/rev.

		[435]	[870]	[1015]	[1160]	[1450]	[1595]	[1813]	[2393]	[PSI]	Max cont.	Max int.
		3	6	7	8	10	11	12	16	MPa		
GPM	[2.1]	[318]	[663]	[778]	[893]	[1114]	[1247]	[1415]	[1857]			
	L/min	36	75	88	101	126	141	160	210			
L/min	8	78	75	73	70	63	67	56	34			
	[4.0]	[310]	[663]	[787]	[893]	[1132]	[1247]	[1415]	[1884]	TORQUE (LB-IN)		
Flow (L/min)	15	149	145	143	141	137	134	129	109	TORQUE (N·M)		
	[5.3]	[292]	[654]	[778]	[893]	[1114]	[1238]	[1424]	[1875]	SPEED (RPM)		
L/min	20	33	74	88	101	126	140	161	212			
	30	199	196	195	191	189	185	179	161			
L/min	[7.9]	[274]	[637]	[752]	[867]	[1088]	[1212]	[1386]	[1884]			
	30	31	72	85	98	123	137	157	213			
L/min	30	299	296	293	291	288	284	280	259			
	[9.2]	[256]	[610]	[734]	[849]	[1070]	[1194]	[1371]	[1875]			
L/min	35	29	69	83	96	121	135	155	212			
	35	349	345	344	341	337	335	330	310			
L/min	[11.9]	[248]	[584]	[716]	[831]	[1052]	[1176]	[1353]	[1840]			
	45	28	66	81	94	119	133	153	208			
L/min	45	449	445	442	439	435	432	428	405			
	[13.2]	[212]	[575]	[690]	[822]	[1055]	[1167]	[1344]	[1831]			
L/min	50	24	65	78	93	117	132	152	207			
	50	498	493	491	490	486	481	477	457			
Max cont.	[15.8]	[203]	[557]	[681]	[814]	[1026]	[1158]	[1335]	[1831]			
	60	23	63	77	92	116	131	151	207	Max cont.		
Max int.	[19.8]	[177]	[504]	[654]	[778]	[999]	[1141]	[1327]				
	75	20	57	74	88	113	129	150		Max int.		
		673	667	664	661	657	654	648				

PERFORMANCE DATA

YMP 125 [7.19 in³/rev] 117.9 cm³/rev.

Max cont.
Max int.

		[435]	[870]	[1015]	[1160]	[1450]	[1595]	[1813]	[2393]	[PSI]
		3	6	7	8	10	11	12	16	MPa
GPM	[2.1]	[398]	[831]	[982]	[1123]	[1397]	[1557]	[1778]	[2326]	TORQUE [LB-IN] TORQUE (N·M) SPEED (RPM)
	8	45	94	111	127	158	176	201	263	
L/min	[4.0]	[389]	[831]	[982]	[1123]	[1415]	[1565]	[1786]	[2361]	TORQUE [LB-IN] TORQUE (N·M) SPEED (RPM)
	15	44	94	111	127	160	177	202	267	
Flow (L/min)	[5.3]	[371]	[822]	[973]	[1123]	[1406]	[1557]	[1786]	[2370]	TORQUE [LB-IN] TORQUE (N·M) SPEED (RPM)
	20	42	93	110	127	159	176	202	268	
Flow (L/min)	[7.9]	[354]	[808]	[955]	[1097]	[1380]	[1539]	[1751]	[2370]	TORQUE [LB-IN] TORQUE (N·M) SPEED (RPM)
	30	40	91	108	124	156	174	198	268	
Flow (L/min)	[9.2]	[336]	[787]	[937]	[1079]	[1362]	[1521]	[1733]	[2361]	TORQUE [LB-IN] TORQUE (N·M) SPEED (RPM)
	35	38	89	106	122	154	172	196	267	
Flow (L/min)	[11.9]	[327]	[752]	[911]	[1061]	[1335]	[1503]	[1716]	[2326]	TORQUE [LB-IN] TORQUE (N·M) SPEED (RPM)
	45	37	85	103	120	151	170	194	263	
Flow (L/min)	[13.2]	[292]	[743]	[884]	[1044]	[1318]	[1477]	[1698]	[2299]	TORQUE [LB-IN] TORQUE (N·M) SPEED (RPM)
	50	33	84	100	118	149	167	192	260	
Max cont.	[15.8]	[283]	[716]	[876]	[1026]	[1300]	[1468]	[1689]	[2291]	Max cont.
	60	32	81	99	116	147	166	191	259	
Max int.	[19.8]	[230]	[663]	[822]	[973]	[1256]	[1406]	[1636]		Max int.
	75	26	75	93	110	142	159	185		

YMP 160 [9.49 in³/rev] 155.5 cm³/rev.

Max cont.
Max int.

		[435]	[870]	[1015]	[1160]	[1450]	[1595]	[2030]	[2393]	[PSI]
		3	6	7	8	10	11	14	16	MPa
GPM	[2.1]	[504]	[1070]	[1256]	[1433]	[1786]	[1990]	[2419]	[2954]	TORQUE [LB-IN] TORQUE (N·M) SPEED (RPM)
	8	57	121	142	162	202	225	243	334	
L/min	[4.0]	[495]	[1070]	[1256]	[1433]	[1804]	[2008]	[2167]	[3016]	TORQUE [LB-IN] TORQUE (N·M) SPEED (RPM)
	15	56	121	142	162	204	227	245	341	
Flow (L/min)	[5.3]	[486]	[1061]	[1238]	[1433]	[1795]	[1999]	[2158]	[3025]	TORQUE [LB-IN] TORQUE (N·M) SPEED (RPM)
	20	55	120	140	162	203	226	244	342	
Flow (L/min)	[7.9]	[478]	[1035]	[1229]	[1415]	[1778]	[1981]	[2140]	[3007]	TORQUE [LB-IN] TORQUE (N·M) SPEED (RPM)
	30	54	117	139	160	201	224	242	340	
Flow (L/min)	[9.2]	[460]	[1017]	[1212]	[1406]	[1760]	[1946]	[2140]	[2980]	TORQUE [LB-IN] TORQUE (N·M) SPEED (RPM)
	35	52	115	137	159	199	220	242	337	
Flow (L/min)	[11.9]	[442]	[991]	[1185]	[1380]	[1733]	[1946]	[2105]	[2963]	TORQUE [LB-IN] TORQUE (N·M) SPEED (RPM)
	45	50	112	134	156	196	220	238	335	
Flow (L/min)	[13.2]	[398]	[973]	[1167]	[1353]	[1716]	[1910]	[2061]	[2919]	TORQUE [LB-IN] TORQUE (N·M) SPEED (RPM)
	50	45	110	132	153	194	216	233	330	
Max cont.	[15.8]	[389]	[937]	[1150]	[1335]	[1698]	[1893]	[2043]	[2901]	Max cont.
	60	44	106	130	151	192	214	231	328	
Max int.	[19.8]	[283]	[849]	[1052]	[1256]	[1610]	[1813]	[1963]		Max int.
	75	32	96	119	142	182	205	222		

YMP 200 [11.59 in³/rev] 189.9 cm³/rev.

Max cont.
Max int.

		[435]	[870]	[1015]	[1160]	[1450]	[1595]	[2175]	[PSI]
		3	6	7	8	10	11	15	MPa
GPM	[2.1]	[646]	[1353]	[1583]	[1804]	[2264]	[2503]	[3405]	TORQUE [LB-IN] TORQUE (N·M) SPEED (RPM)
	8	73	153	179	204	256	283	385	
L/min	[4.0]	[646]	[1344]	[1592]	[1813]	[2291]	[2353]	[3449]	TORQUE [LB-IN] TORQUE (N·M) SPEED (RPM)
	15	73	152	180	205	259	266	390	
Flow (L/min)	[5.3]	[628]	[1335]	[1574]	[1804]	[2264]	[2521]	[3449]	TORQUE [LB-IN] TORQUE (N·M) SPEED (RPM)
	20	71	151	178	204	256	285	390	
Flow (L/min)	[7.9]	[601]	[1318]	[1548]	[1786]	[2246]	[2503]	[3431]	TORQUE [LB-IN] TORQUE (N·M) SPEED (RPM)
	30	68	149	175	202	254	283	388	
Flow (L/min)	[9.2]	[575]	[1291]	[1530]	[1769]	[2229]	[2485]	[3414]	TORQUE [LB-IN] TORQUE (N·M) SPEED (RPM)
	35	65	146	173	200	252	281	386	
Flow (L/min)	[11.9]	[557]	[1256]	[1503]	[1733]	[2184]	[2450]	[3378]	TORQUE [LB-IN] TORQUE (N·M) SPEED (RPM)
	45	63	142	170	196	247	259	382	
Flow (L/min)	[13.2]	[513]	[1220]	[1468]	[1707]	[2158]	[2406]	[3343]	TORQUE [LB-IN] TORQUE (N·M) SPEED (RPM)
	50	58	138	166	193	244	272	378	
Max cont.	[15.8]	[495]	[1203]	[1442]	[1689]	[2131]	[2379]	[3317]	Max cont.
	60	56	136	163	191	241	269	375	
Max int.	[19.8]	[371]	[1070]	[1327]	[1565]	[1999]			Max int.
	75	42	121	150	177	226			

YMP 250 [14.10 in³/rev] 231 cm³/rev.

Max cont.
Max int.

		[435]	[870]	[1015]	[1160]	[1450]	[1595]	[2030]	[PSI]
		3	6	7	8	10	11	14	MPa
GPM	[2.1]	[822]	[1725]	[1999]	[2291]	[2874]	[3157]		TORQUE [LB-IN] TORQUE (N·M) SPEED (RPM)
	8	93	195	226	259	325	357		
L/min	[4.0]	[814]	[1698]	[1999]	[2299]	[2874]	[3184]	[4033]	TORQUE [LB-IN] TORQUE (N·M) SPEED (RPM)
	15	92	192	226	260	325	360	456	
Flow (L/min)	[5.3]	[796]	[1689]	[1990]	[2282]	[2848]	[3148]	[4024]	TORQUE [LB-IN] TORQUE (N·M) SPEED (RPM)
	20	90	191	225	258	322	356	455	
Flow (L/min)	[7.9]	[761]	[1663]	[1955]	[2255]	[2821]	[3131]	[3997]	TORQUE [LB-IN] TORQUE (N·M) SPEED (RPM)
	30	86	188	221	255	319	354	452	
Flow (L/min)	[9.2]	[725]	[1627]	[1919]	[2220]	[2804]	[3095]	[3962]	TORQUE [LB-IN] TORQUE (N·M) SPEED (RPM)
	35	82	184	217	251	317	350	448	
Flow (L/min)	[11.9]	[699]	[1583]	[1893]	[2176]	[2759]	[3051]	[3909]	TORQUE [LB-IN] TORQUE (N·M) SPEED (RPM)
	45	79	179	214	246	312	345	442	
Flow (L/min)	[13.2]	[654]	[1539]	[1848]	[2149]	[2706]	[2998]	[3874]	TORQUE [LB-IN] TORQUE (N·M) SPEED (RPM)
	50	74	174	209	243	306	339	438	
Max cont.	[15.8]	[628]	[1512]	[1822]	[2113]	[2680]	[2972]	[3829]	Max cont.
	60	71	171	206	239	303	336	433	
Max int.	[19.8]	[469]	[1353]	[1672]	[1955]	[2582]	[2759]		Max int.
	75	53	153	189	221	292	312		

PERFORMANCE DATA

YMP 315 [19.02 in³/rev] 311.7 cm³/rev.

Max cont. Max int.

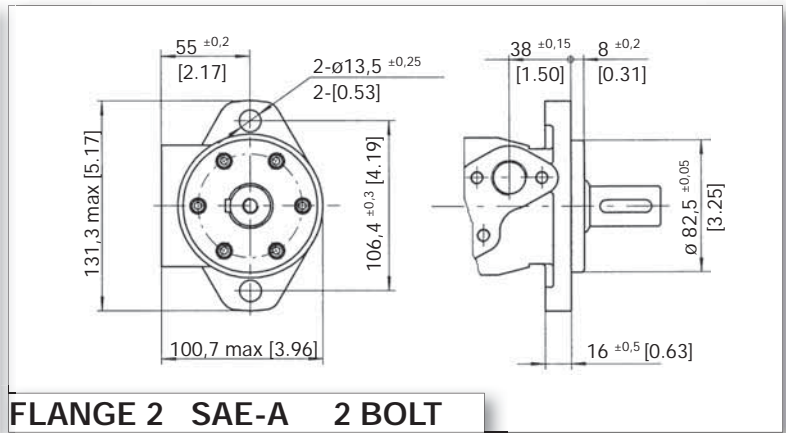
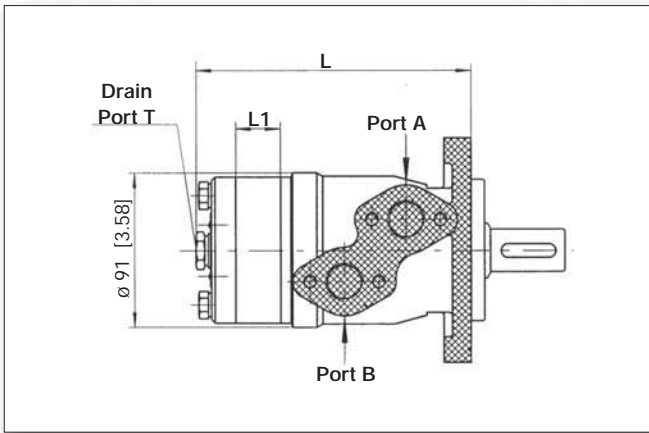
		[435] 3	[870] 6	[1015] 7	[1160] 8	[1450] 10	[1813] 12	[PSI] MPa
GPM L/min	[2.1] 8	[1026] 116 25	[2149] 243 24	[2494] 282 22	[2768] 313 16	[3431] 388 13		
	[4.0] 15	[1017] 115 47	[2149] 243 46	[2512] 284 45	[2865] 324 43	[3591] 406 41	[4449] 503 20	TORQUE (LB-IN) TORQUE (N•M) SPEED (RPM)
Flow (L/min)	[5.3] 20	[1008] 114 63	[2140] 242 62	[2494] 282 61	[2857] 323 58	[3582] 405 56	[4466] 505 54	
	[7.9] 30	[964] 109 94	[2096] 237 93	[2450] 277 92	[2821] 319 90	[3546] 401 88	[4431] 501 77	
Max cont.	[9.2] 35	[929] 105 110	[2052] 232 109	[2414] 273 108	[2777] 314 106	[3511] 397 103	[4395] 497 93	
	[11.9] 45	[876] 99 141	[1999] 226 141	[2370] 268 139	[2733] 309 137	[3458] 391 135	[4342] 491 124	
Max int.	[13.2] 50	[814] 92 157	[1928] 218 157	[2317] 262 155	[2689] 304 154	[3396] 384 151	[4298] 486 141	
	[15.8] 60	[787] 89 189	[1901] 215 188	[2282] 258 187	[2644] 299 185	[3352] 379 182	[4236] 479 171	Max cont.
	[19.8] 75	[610] 69 236	[1716] 194 235	[2097] 237 234	[2459] 278 232	[3140] 355 229		Max int.

YMP 400 [23.57 in³/rev] 386.2 cm³/rev.

Max cont. Max int.

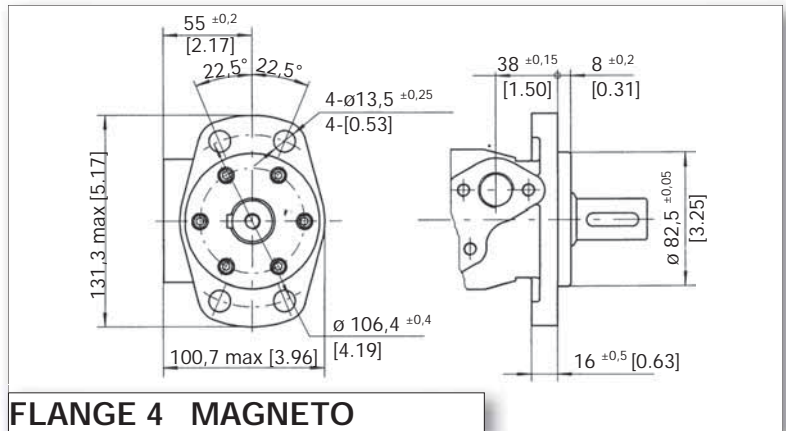
		[435] 3	[870] 6	[1015] 7	[1160] 8	[1232,50] 8	[1812,50] 12	[PSI] MPa
GPM L/min	[2.1] 8	[1300] 147 20	[2688] 304 19	[3131] 354 16				
	[4.0] 15	[1300] 147 37	[2724] 308 36	[3175] 359 35	[3608] 408 33	[3847] 435 32	[4705] 532 25	TORQUE (LB-IN) TORQUE (N•M) SPEED (RPM)
Flow (L/min)	[5.3] 20	[1273] 144 50	[2697] 305 49	[3166] 358 47	[3599] 407 45	[3847] 435 43	[4714] 533 38	
	[7.9] 30	[1229] 139 74	[2662] 301 73	[3113] 352 72	[3555] 402 70	[3803] 430 68	[4687] 530 62	
Max cont.	[9.2] 35	[1176] 133 86	[2600] 294 86	[3051] 345 85	[3502] 396 82	[3741] 423 80	[4643] 525 75	
	[11.9] 45	[1105] 125 111	[2538] 287 111	[2998] 339 109	[3440] 389 106	[3679] 416 105	[4572] 517 100	
Max int.	[13.2] 50	[1035] 117 124	[2459] 278 124	[2918] 330 122	[3378] 382 120	[3591] 406 119	[4502] 509 113	
	[15.8] 60	[990] 112 149	[2423] 274 149	[2883] 326 147	[3334] 377 145	[3573] 404 144	[4466] 505 137	Max cont.
	[19.8] 75	[778] 88 185	[2146] 246 185	[2635] 298 185	[3104] 351 182	[3325] 376 181		Max int.

DIMENSIONS AND MOUNTING DATA

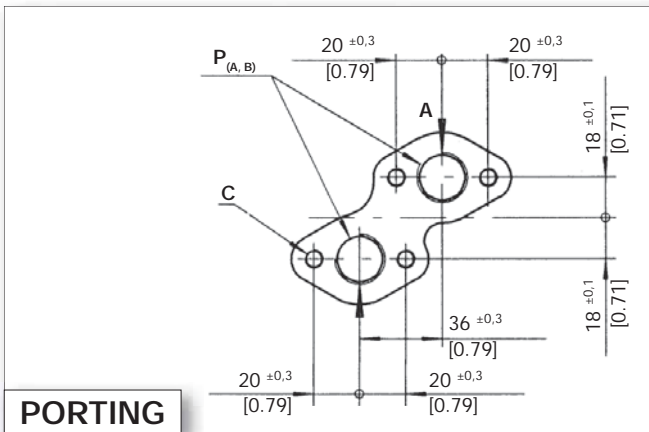


FLANGE 2 SAE-A 2 BOLT

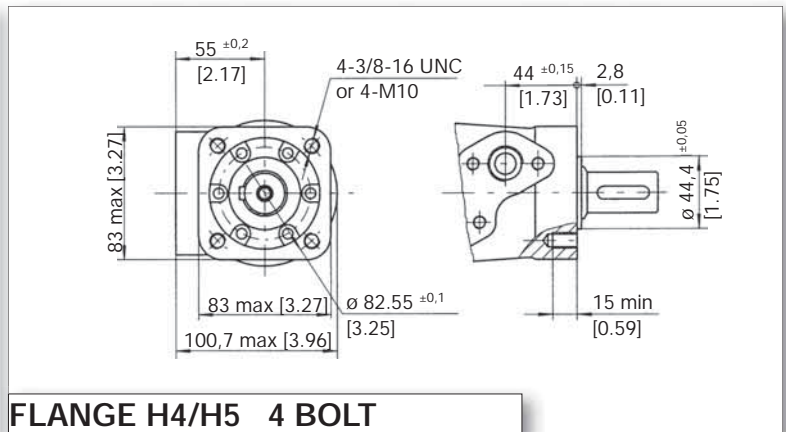
MODEL	[INCHES]		MILLIMETERS	
	L	L1	L	L1
YMP 50	[5.39]	[.28]	137	7
YMP 80	[5.53]	[0.41]	140.5	10.5
YMP 100	[5.63]	[0.51]	143	13
YMP 125	[5.75]	[0.63]	146	16
YMP 160	[5.94]	[0.83]	151	21
YMP 200	[6.18]	[1.02]	157	26
YMP 250	[6.38]	[1.26]	162	32
YMP 315	[6.77]	[1.65]	172	42
YMP 400	[7.17]	[2.05]	182	52



FLANGE 4 MAGNETO



PORTING

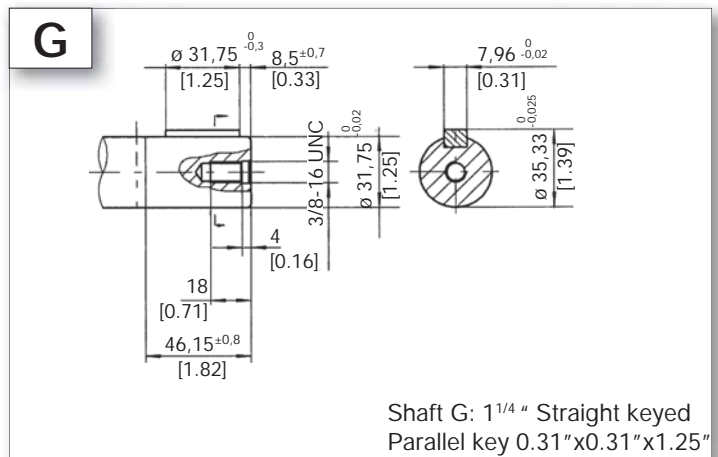
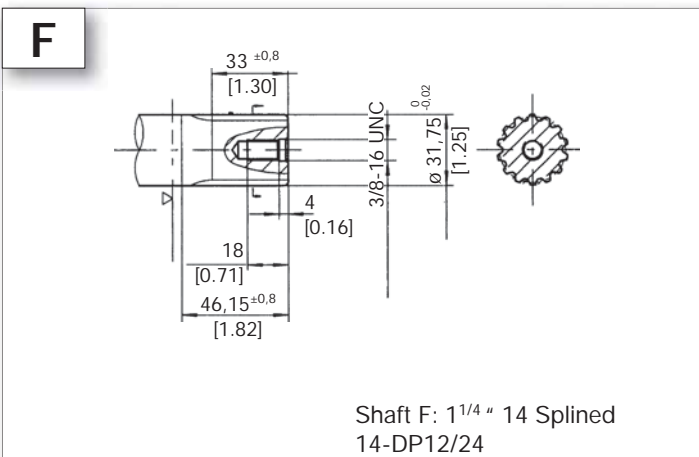
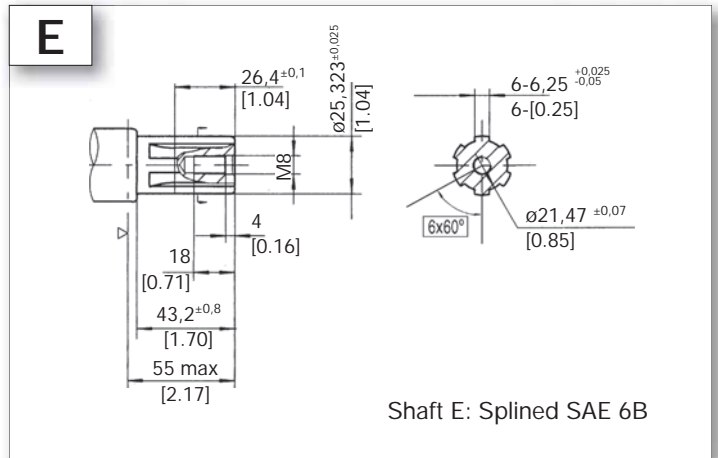
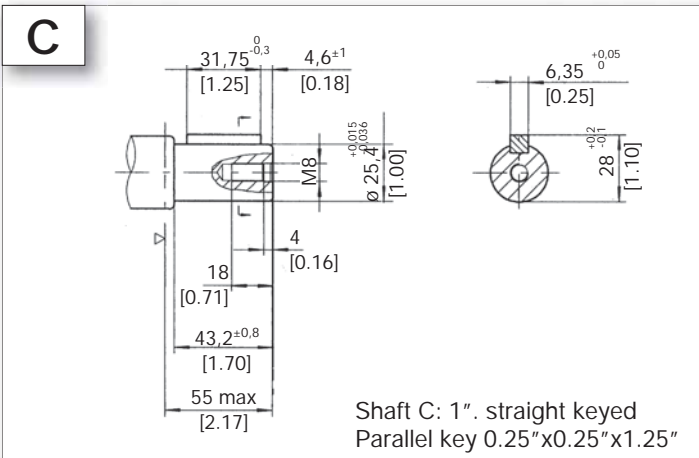
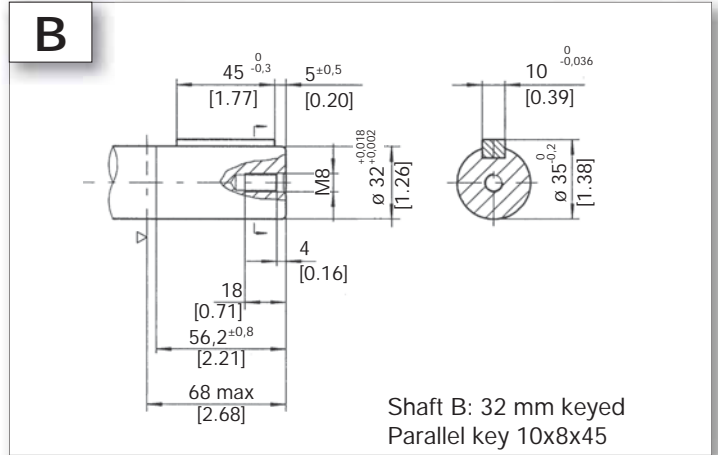
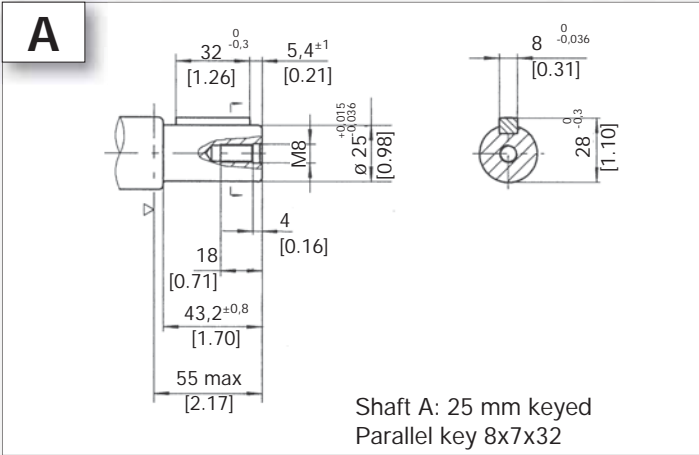


FLANGE H4/H5 4 BOLT

PORT & DRAIN PORT ORDERING CODES

ORDER CODE	D	DEPTH	M	DEPTH	S	DEPTH	P	DEPTH	R	DEPTH
PORTS - A and B	G 1/2	15 mm	M22 X 1.5	15 mm	7/8-14 O-RING	17 mm	1/2-14NPTF	15 mm	PT(RC)1/2	15 mm
TANK PORT - T	G 1/4	12 mm	M14 X1.5	12 mm	7/16-20UNF	12 mm	7/16-20UNF	12 mm	PT(RC)1/4	9.7 mm
BOLTS - C	4-M8	13 mm	4-M8	13 mm	4-5/16-18UNC	13 mm	4-5/16-18UNC	13 mm	4-M8	13 mm

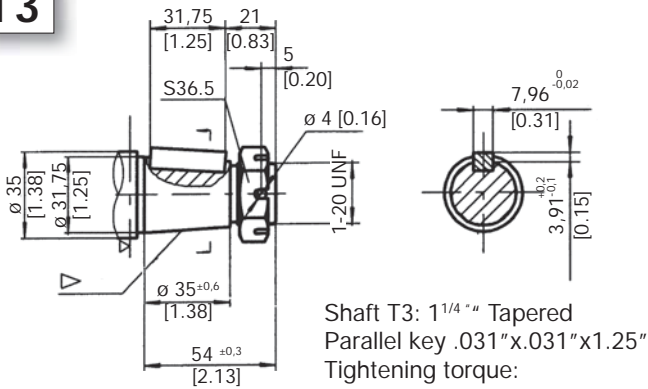
MOTOR SHAFT EXTENSIONS



▷ Motor Mounting Surface

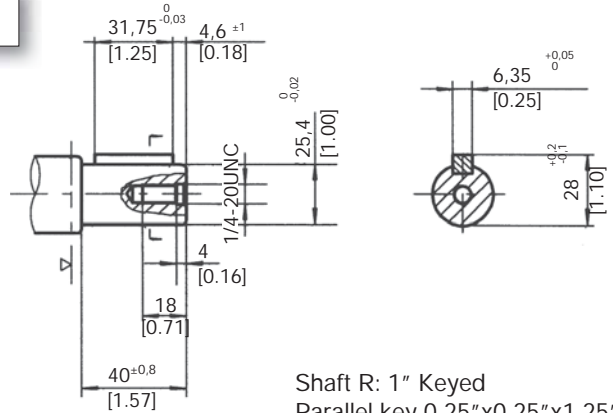
MOTOR SHAFT EXTENSIONS

T3



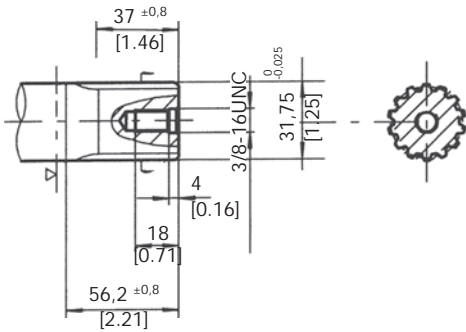
Shaft T3: 1 1/4" Tapered
Parallel key .031"x.031"x1.25"
Tightening torque:
147.40 \pm 7.37 ft.lb.

R



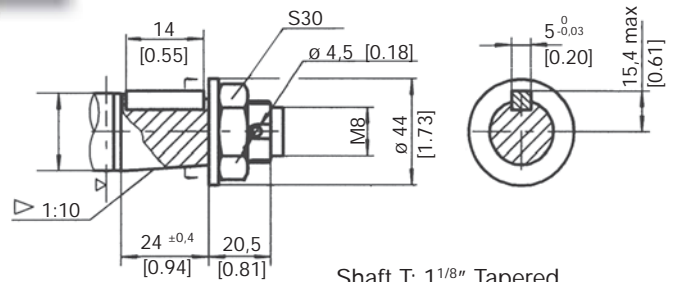
Shaft R: 1" Keyed
Parallel key 0.25"x0.25"x1.25"

FD



Shaft FD: 1 1/4"-14 Splined
14-DP12/24

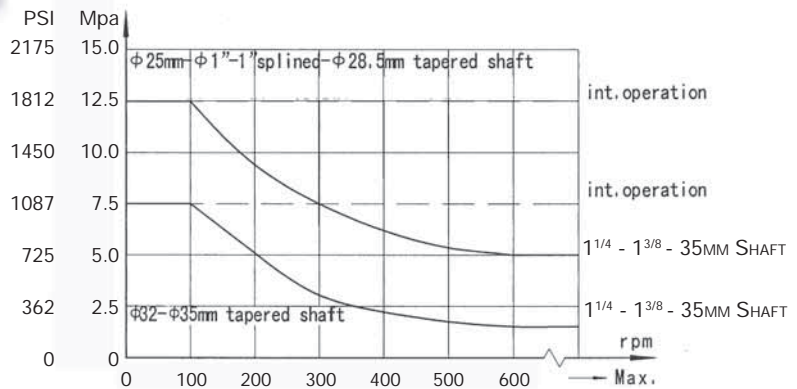
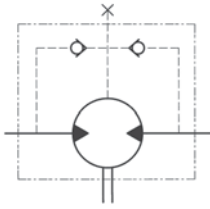
T



Shaft T: 1 1/8" Tapered
Parallel key
Tightening torque:
147.40 \pm 7.37 ft.lb.

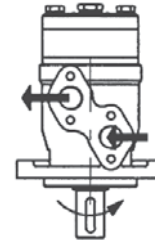
ADDITIONAL INFORMATION

PERMISSIBLE SHAFT SEAL PRESSURE



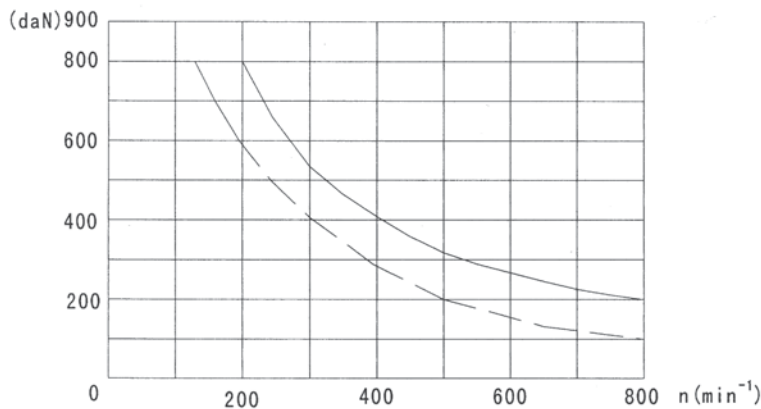
IN APPLICATIONS WITHOUT A DRAIN LINE, THE PRESSURE EXERTED ON THE SHAFT SEAL WILL EXCEED THE PRESSURE IN THE RETURN LINE. IN APPLICATIONS USING A DRAIN LINE, THE PRESSURE ON THE OUTPUT SHAFT SEAL CAN EQUAL THE PRESSURE IN DRAIN LINE.

SHAFT ROTATION DIRECTION

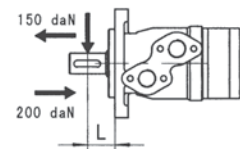


YMP

LOAD CHART RATINGS



$$F_r = \frac{800,2500}{n \cdot 95+1} \text{ daN}$$



F_r = Radial Force (daN)
 L = Distance (mm)
 n = Speed (rpm)

Rhomb-flange $L=30\text{mm}$
 Square-flange $L=24\text{mm}$

— shaft $\phi 25\text{mm}$ and $\phi 1''$ ($\phi 25.4\text{mm}$)
 - - - shaft $\phi 32\text{mm}$

ORDERING INFORMATION

	1	2	3	4	5	6	7
YMP							

1	2	3	4	5	6	7
DISP.	FLANGE	OUTPUT SHAFT	PORT AND DRAIN PORT	ROTATION DIRECTION	PAINT	SPECIAL OPTIONS
36	2 SAE - A 2 Bolt Pilot 3.25"×0.31"	A Shaft 25mm Keyed Parallel key 8×7×32	D Port: G 1/2 Manifold Mount Drain: G 1/4 Bolts: 4 x M8	NONE STANDARD	00 NO PAINT	NONE STANDARD
50	4 4 Bolt Magneto Pilot 3.25"×0.31"	B Shaft 32mm Keyed Parallel key 10×8×45	M Port M22×1.5 Manifold Mount Drain: M14×1.5 Bolts: 4 x M8	R OPPOSITE	NONE BLUE	N BIG RADIAL FORCE
80	H4 SAE - A 4 Bolt Pilot 1.75"×0.11" 4 bolts: 3/8 - 16UNC	C Shaft 1" Straight keyed Parallel key 0.25"×0.25"×1.25"	S Port: 7/8"-14 O-ring anifold Drain: 7/16"-20UNF Bolts: 4 x 5/16"-18UNC,		B BLACK	AX BIG AXIAL FORCE
100	H5 4 Bolt Flange Pilot Ø44.4×2.8 4 x M10	E Splined SAE 6B	P Port: 1/2"-14 NPTF Manifold Drain: 7/16"-20UNF Bolts: 4 x 5/16"-18UNC		S SILVER GRAY	0 NO CASE DRAIN
125		R Short shaft 1" Keyed Parallel key 0.25"×0.25"×1.25"				FR FREE RUNNING
160		F 1 1/4" 14 Splined 14-DP12/24				LL LOW LEAKAGE VALVE
200		FD 1 1/4" 14 Splined (long) 14-DP12/24	R Port: PT(Rc)1/2" Manifold Drain: PT(Rc)1/4" Bolts: 4 x M8			LSV LOW SPEED VALVE
250		G 1 1/4" Straight keyed Parallel key 0.31"×0.31"×1.25"				CRS CORROSION RESISTANT SHAFT
315		T 1 1/8" Tapered Parallel key 0.20"×0.20"×0.55"				HPS HIGH PRESSURE SEAL
400		T3 1 1/4" Tapered Parallel key 0.31"×0.31"×1.00"				HTS HIGH TEMP SEAL

Ordering Code:

All options have been determined with letters, numbers or combinations. All boxes must be filled with proper codes. If specification is not in the table, please contact us with your requirements.