

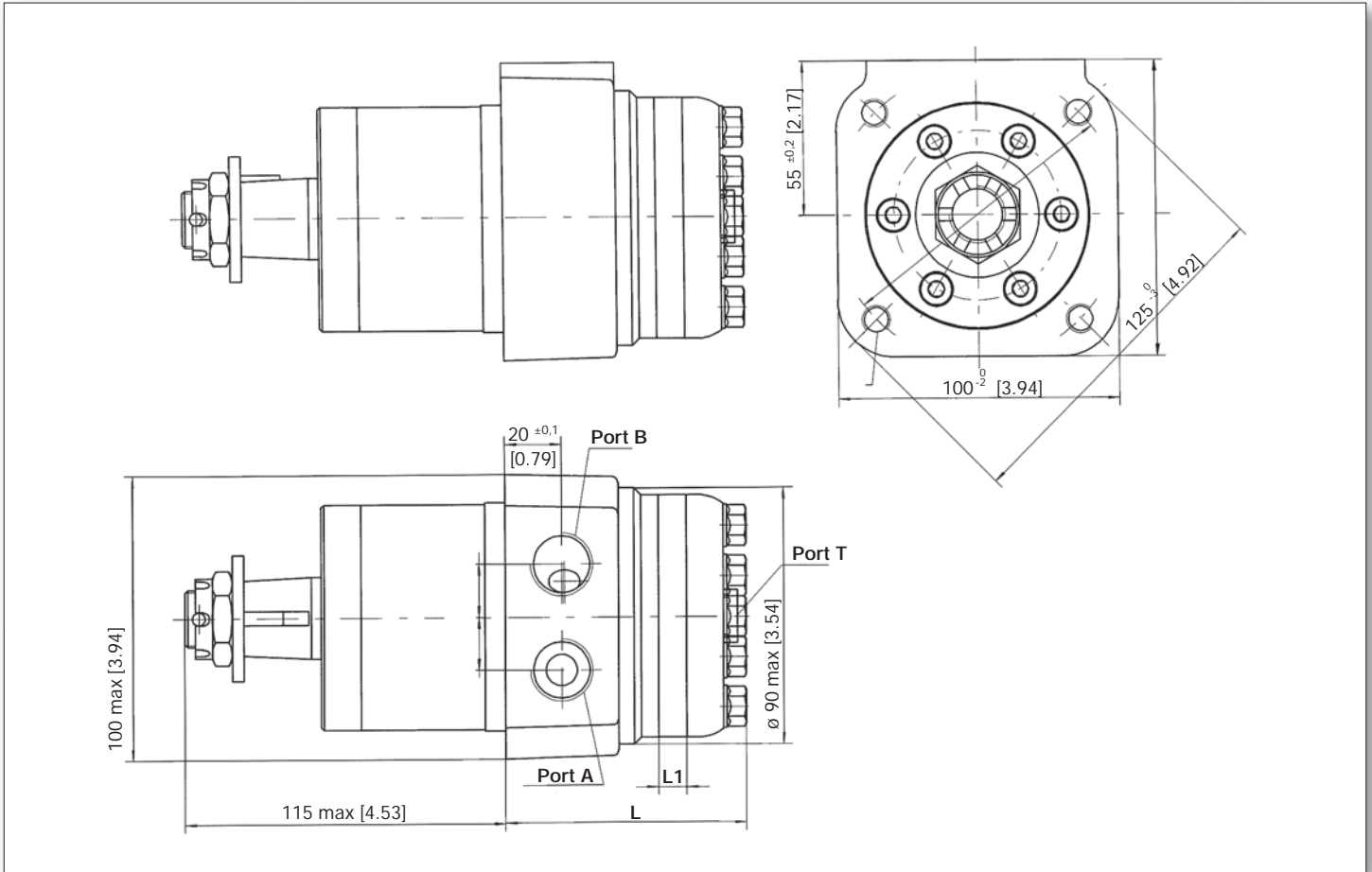
SPECIFICATION DATA

For individual motor performance chart consult equivalent YMP series data.

DISTRIBUTION TYPE		YMPW 50	YMPW 80	YMPW 100	YMPW 125	YMPW 160	YMPW 200	YMPW 250	YMPW 315	YMPW 400	
GEOMETRIC DISPLACEMENT	[in ³ ./rev.]	[3.15]	[4.74]	[5.87]	[7.19]	[9.49]	[11.59]	[14.10]	[19.01]	[23.57]	
	cm ³ /rev.	51.7	77.7	96.2	117.9	155.5	189.9	231	311.7	386.2	
MAX. SPEED RPM	RATED	850	650	520	390	310	260	200	156	130	
	CONT.	879	740	589	475	370	296	237	189	149	
	INT.	975	827	673	594	463	370	297	236	185	
MAX. TORQUE [LB. IN.] N*M	RATED	[LB. IN.]	[716]	[1141]	[1424]	[1786]	[1804]	[2291]	[2874]	[3051]	[3847]
		N*M	81	129	161	202	204	259	325	345	435
	CONT.	[LB. IN.]	[716]	[1141]	[1424]	[1786]	[2167]	[2529]	[3184]	[3591]	[4847]
		N*M	81	129	161	202	245	286	360	406	435
	INT.	[LB. IN.]	[955]	[1512]	[1884]	[2370]	[3025]	[3449]	[4033]	[4466]	[4714]
		N*M	108	171	213	268	342	390	456	505	533
MAX. OUTPUT [HP] KW	RATED	[HP]	[9]	[12]	[12]	[11]	[9]	[9]	[9]	[8]	[8]
		KW	7	8.6	8.6	8	6.5	6.9	6.6	5.5	5.8
	CONT.	[HP]	[9]	[12]	[12]	[12]	[12]	[11]	[11]	[10]	[10]
		KW	7	9.1	9	9.1	8.7	8.1	8.2	7.2	6.1
	INT.	[HP]	[12]	[16]	[16]	[16]	[16]	[15]	[14]	[12]	[10]
		KW	8.9	11.8	11.9	11.8	11.9	10.9	10.1	8.6	7.2
MAX. PRES-SURE DROP [PSI] MPa	RATED	[PSI]	[1812]	[1812]	[1812]	[1812]	[1450]	[1450]	[1450]	[1232]	[1232]
		MPa	12.5	12.5	12.5	12.5	10	10	10	8.5	8.5
	CONT.	[PSI]	[1812]	[1812]	[1812]	[1812]	[1812]	[1595]	[1595]	[1595]	[1450]
		MPa	12.5	12.5	12.5	12.5	12.5	11	11	11	10
	INT.	[PSI]	[2392]	[2392]	[2392]	[2392]	[2392]	[2392]	[2030]	[1812]	[1522]
		MPa	16.5	16.5	16.5	16.5	16.5	16.5	14	12.5	10.5
	PEAK	[PSI]	[2392]	[2392]	[2392]	[2392]	[2392]	[2392]	[2030]	[1812]	[1522]
		MPa	16.5	16.5	16.5	16.5	16.5	16.5	14	12.5	10.5
MAX. FLOW [GPM] L/MIN	RATED	[GPM]	[11.8]	[14.5]	[14.5]	[14.5]	[14.5]	[14.5]	[14.5]	[14.5]	
		L/MIN	45	55	55	55	55	55	55	55	55
	CONT.	[GPM]	[11.8]	[15.8]	[15.8]	[15.8]	[15.8]	[15.8]	[15.8]	[15.8]	[15.8]
		L/MIN	45	60	60	60	60	60	60	60	60
	INT.	[GPM]	[13.2]	[19.8]	[19.8]	[19.8]	[19.8]	[19.8]	[19.8]	[19.8]	[19.8]
		L/MIN	50	75	75	75	75	75	75	75	75
WEIGHT [LB] KG	[LB]	[12]	[13]	[13]	[13]	[14]	[14]	[15]	[15]	[16]	
	KG	5.6	5.7	5.9	6	75	75	75	6.9	75	

- * Rated speed and rated torque: Output value of speed and torque under rated flow and rated pressure.
- * Continuous pressure: Max. value of operating motor continuously.
- * Intermittent pressure: Max. value of operating motor in 6 seconds per minute.
- * Peak pressure: Max. value of operating motor in 0.6 second per minute.

DIMENSIONS AND MOUNTING DATA



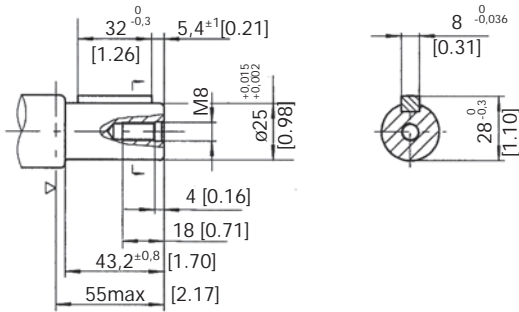
MODEL	[INCHES]		MILLIMETERS	
	L	L1	L	L1
YMPW 50	[3.19]	[.28]	81	7
YMPW 80	[3.33]	[0.41]	84.5	10.5
YMPW 100	[3.43]	[0.51]	87	13
YMPW 125	[3.54]	[0.63]	90	16
YMPW 160	[3.74]	[0.83]	95	21
YMPW 200	[3.94]	[1.02]	100	26
YMPW 250	[4.17]	[1.26]	106	32
YMPW 315	[4.57]	[1.65]	116	42
YMPW 400	[4.96]	[2.05]	126	52

PORT & DRAIN PORT ORDERING CODES

ORDER CODE	G	DEPTH	S	DEPTH
PORTS A and B	G 1/2	15 mm	7/8-14 O-RING	17 mm
TANK PORT - T	G 1/4	12 mm	7/16 20UNF	12 mm

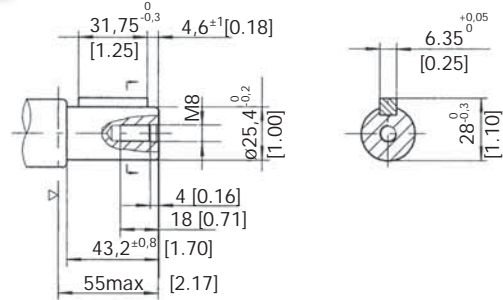
MOTOR SHAFT EXTENSIONS

A



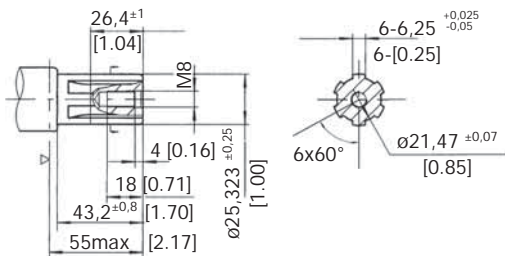
Shaft A: 25mm Keyed
Parallel Key 8x7x32

C



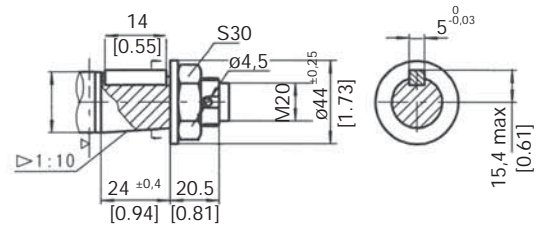
Shaft C: 1" Keyed
Parallel Key .25x.25x1.25

E



Shaft E: Splined SAE 6B

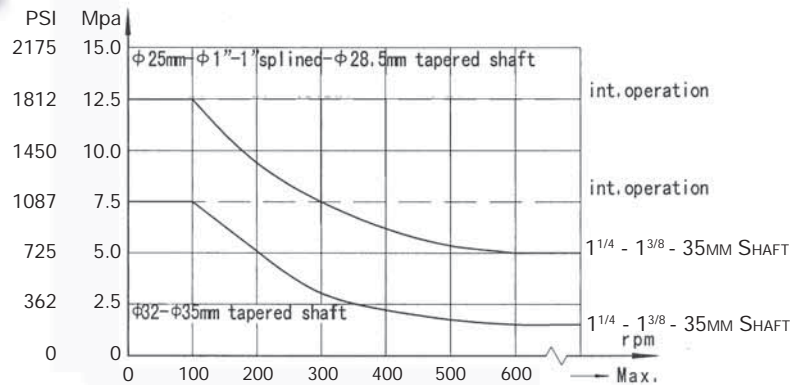
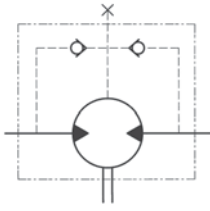
T



Shaft T: 1.125" Tapered
Parallel Key B5X5X14

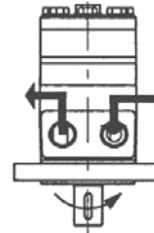
ADDITIONAL INFORMATION

PERMISSIBLE SHAFT SEAL PRESSURE



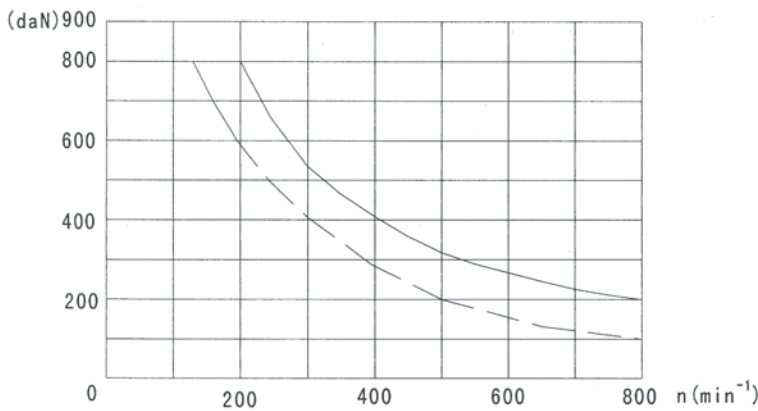
IN APPLICATIONS WITHOUT A DRAIN LINE, THE PRESSURE EXERTED ON THE SHAFT SEAL WILL EXCEED THE PRESSURE IN THE RETURN LINE.
IN APPLICATIONS USING A DRAIN LINE, THE PRESSURE ON THE OUTPUT SHAFT SEAL CAN EQUAL THE PRESSURE IN DRAIN LINE.

SHAFT ROTATION DIRECTION

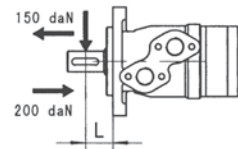


YMPW

LOAD CHART RATINGS



$$F_r = \frac{800,2500}{n \cdot 95+1} \text{ daN}$$



F_r = Radial Force (daN)
 L = Distance (mm)
 n = Speed (rpm)

Rhomb-flange $L=30\text{mm}$
Square-flange $L=24\text{mm}$

— shaft #25mm and #1" (#25.4mm)
- - - shaft #32mm

ORDERING INFORMATION

	1	2	3	4	5	6	7
YMPW							

1	2		3		4		5		6		7	
DISP.	FLANGE		OUTPUT SHAFT		PORT AND DRAIN PORT		ROTATION DIRECTION		PAINT		SPECIAL OPTIONS	
50	OMIT	Wheel Flange Pilot 80mmx7.5 4- m10 bolt holes	A	Shaft: 25mm Keyed Parallel Key 8x7x32	G	G 1/2, G 1/4	NONE	STANDARD	00	NO PAINT	NONE	STANDARD
80			C	Shaft: 1" Keyed Parallel Key .25x.25x1.25	S	7/8-14 ORING , 7/16-20 UNF (G1/4)	R	REVERSE	NONE	BLUE	N	HIGH RADIAL LOAD
100			E	Shaft: 1" SAE 6B Splined							AX	HIGH AXIAL LOAD
125			T	Shaft: 1.125 Tapered Parallel Key B5x5x14							O	NO CASE DRAIN
160			B	BLACK							FR	FREE RUNNING
200			S	SILVER GRAY							LL	LOW LEAKAGE VALVE
250											LSV	LOW SPEED VALVE
315											CRS	CORROSION RESISTANT SHAFT
400											HPS	HIGH PRESSURE SEAL

Ordering code:

All options have been determined with letters, numbers or combinations. All boxes must be filled with proper codes. If specification is not in the table, please contact us with your specific requirements.