

SPECIFICATION DATA

DISTRIBUTION TYPE		YMV 315	YMV 400	YMV 500	YMV 630	YMV 800	YMV 1000	
GEOMETRIC DISPLACEMENT	[in./rev.]	[20.32]	[25.57]	[31.61]	[40.63]	[48.88]	[60.40]	
	cm ³ /rev.	333	419	518	666	801	990	
MAX. SPEED RPM	RATED	335	270	215	170	140	105	
	CONT.	446	354	386	223	185	145	
	INT.	649	526	425	331	275	220	
MAX. TORQUE [LB. IN.] N*M	RATED	[LB. IN.]	[6456]	[9021]	[10701]	[12576]	[14061]	[17821]
		N*M	730	1020	1210	1422	1590	2015
	CONT.	[LB. IN.]	[8181]	[10790]	[12824]	[14504]	[16008]	[17821]
		N*M	925	1220	1450	1640	1810	2015
	INT.	[LB. IN.]	[9728]	[12727]	[15742]	[17688]	[18661]	[20164]
		N*M	1100	1439	1780	2000	2110	2280
PEAK	[LB. IN.]	[11931]	[15035]	[18758]	[20677]	[21845]	[21226]	
	N*M	1349	1700	2121	2338	2470	2400	
MAX. OUTPUT [HP] KW	RATED	[HP]	[34]	[39]	[37]	[34]	[31]	[28]
		KW	25.6	28.8	27.2	25.3	23.3	21.2
	CONT.	[HP]	[58]	[61]	[78]	[52]	[47]	[38]
		KW	43	45.2	58.6	38.3	35.1	28.6
	INT.	[HP]	[70]	[70]	[70]	[62]	[54]	[54]
		KW	52	52	52	46	40	40
MAX. PRESSURE DROP [PSI] MPa	RATED	[PSI]	[2320]	[2320]	[2320]	[2320]	[2030]	[2030]
		MPa	16	16	16	16	14	14
	CONT.	[PSI]	[2900]	[2900]	[2900]	[2610]	[2320]	[2030]
		MPa	20	20	20	18	16	14
	INT.	[PSI]	[3480]	[3480]	[3480]	[3045]	[2610]	[2329]
		MPa	24	24	24	21	18	16
PEAK	[PSI]	[4060]	[4060]	[4060]	[3480]	[3045]	[2610]	
	MPa	28	28	28	24	21	18	
MAX. FLOW [GPM] L/MIN	RATED	[GPM]	[29.0]	[29.0]	[29.0]	[29.0]	[29.0]	[29.0]
		L/MIN	110	110	110	110	110	110
	CONT.	[GPM]	[39.6]	[39.6]	[39.6]	[39.6]	[39.6]	[39.6]
		L/MIN	150	150	150	150	150	150
	INT.	[GPM]	[59.4]	[59.4]	[59.4]	[59.4]	[59.4]	[59.4]
		L/MIN	225	225	225	225	225	225
MAX. INLET PRESSURE [PSI] MPa	RATED	[PSI]	[3045]	[3045]	[3045]	[3045]	[3045]	[3045]
		MPa	21	21	21	21	21	21
	CONT.	[PSI]	[3045]	[3045]	[3045]	[3045]	[3045]	[3045]
		MPa	21	21	21	21	21	21
	INT.	[PSI]	[3625]	[3625]	[3625]	[3625]	[3625]	[3625]
		MPa	25	25	25	25	25	25
PEAK	[PSI]	[4350]	[4350]	[4350]	[4350]	[4350]	[4350]	
	MPa	30	30	30	30	30	30	
WEIGHT [LB] KG	[LB]	[70]	[72]	[74]	[77]	[80]	[84.6]	
	KG	31.8	32.6	33.5	34.9	36.5	38.6	

- Rated speed and rated torque: Output value of speed and torque under rated flow and rated pressure.
- Continuous pressure: Max. value of operating motor continuously.
- Intermittent pressure: Max. value of operating motor in 6 seconds per minute.
- Peak pressure: Max. value of operating motor in 0.6 second per minute.

PERFORMANCE DATA

YMV 315 [20.32 in³/rev] 333 cm³/rev. Max cont. Max int.

	[1015]	[1450]	[2030]	[2320]	[2610]	[2900]	[3045]	[3480]	[PSI]
	7	10	14	16	18	20	21	24	MPa
GPM	[7.9]	[2697]	[3847]	[5351]	[6350]	[6987]	[7889]	[8331]	[9375]
L/min	30	305	435	605	718	790	892	942	1060
		89	85	79	71	70	68	62	55
	[15.9]	[2680]	[3936]	[5528]	[6509]	[7323]	[8181]	[8561]	[9702]
	60	303	445	625	736	828	925	968	1097
		183	179	174	168	163	160	154	148
	[23.8]	[2653]	[3891]	[5528]	[6456]	[7305]	[8154]	[8508]	[9569]
	90	300	440	625	730	826	922	962	1082
		275	272	266	258	254	248	242	235
	[27.7]	[2609]	[3847]	[5483]	[6421]	[7270]	[8110]	[8473]	[9534]
	105	295	435	620	726	822	917	958	1078
		325	320	312	306	300	292	290	285
	[31.7]	[2565]	[3812]	[5395]	[6368]	[7252]	[8066]	[8419]	[9463]
	120	290	431	610	720	820	912	952	1070
		371	366	359	350	345	337	332	325
	[39.6]	[2459]	[3635]	[5324]	[6332]	[7093]	[7995]	[8331]	[9348]
	150	278	411	602	716	802	904	942	1057
		464	459	454	445	435	428	422	412
	[50.2]	[2299]	[3467]	[5200]	[6279]	[7031]	[7889]	[8225]	
	190	260	392	588	710	795	892	930	
		595	588	582	575	568	562	555	
									Max cont.
									Max int.

YMV 400 [25.56 in³/rev] 419 cm³/rev. Max cont. Max int.

	[1015]	[1450]	[2030]	[2320]	[2610]	[2900]	[3045]	[3480]	[PSI]
	7	10	14	16	18	20	21	24	MPa
GPM	[7.9]	[3467]	[5236]	[7181]	[8800]	[9286]	[10,436]	[10,569]	[12,249]
L/min	30	392	592	812	995	1050	1180	1195	1385
		71	70	68	63	60	56	52	47
	[15.9]	[3555]	[5430]	[7270]	[9021]	[9463]	[10,790]	[10,922]	[12,603]
	60	402	614	822	1020	1070	1220	1235	1425
		146	142	138	132	127	124	120	118
	[23.8]	[3502]	[5359]	[7208]	[8977]	[9419]	[10,701]	[10,834]	
	90	396	606	815	1015	1065	1210	1225	
		240	238	232	228	222	217	212	
	[27.7]	[3449]	[5306]	[7119]	[8932]	[9392]	[10,657]	[10,790]	
	105	390	600	805	1010	1062	1205	1220	
		270	266	261	258	254	250	248	
	[31.7]	[3396]	[5253]	[7058]	[8888]	[9330]	[10,613]	[10,701]	
	120	384	594	798	1005	1055	1200	1210	
		294	290	286	284	280	276	272	
	[39.6]	[3317]	[5147]	[7005]	[8862]	[9198]			
	150	375	582	792	1002	1040			
		370	365	360	358	355			Max cont.
	[50.2]	[3184]	[5076]	[6960]	[8729]	[9065]			
	190	360	574	787	987	1025			
		485	480	475	472	470			Max int.

YMV 500 [31.60 in³/rev] 518 cm³/rev. Max cont. Max int.

	[1015]	[1450]	[2030]	[2320]	[2610]	[2900]	[3045]	[3480]	[PSI]
	7	10	14	16	18	20	21	24	MPa
GPM	[7.9]	[3909]	[5970]	[8826]	[10,436]	[11,143]	[12,470]	[13,133]	[15,557]
L/min	30	442	675	998	1180	1260	1410	1485	1759
		57	55	53	52	50	48	44	40
	[15.9]	[4024]	[6058]	[9065]	[10,701]	[11,188]	[12,780]	[13,354]	[15,742]
	60	455	685	1025	1210	1265	1445	1510	1780
		117	115	111	106	101	97	95	90
	[23.8]	[3980]	[5996]	[9021]	[10,657]	[11,143]	[12,824]	[13,443]	[15,795]
	90	450	678	1020	1205	1260	1450	1520	1786
		186	184	183	180	178	173	170	166
	[27.7]	[3936]	[5943]	[8950]	[10,613]	[11,099]	[12,788]	[13,381]	
	105	445	672	1012	1200	1255	1446	1513	
		205	202	198	194	192	187	186	
	[31.7]	[3891]	[5908]	[8888]	[10,560]	[11,055]	[12,373]	[13,354]	
	120	440	668	1005	1194	1250	1399	1510	
		240	238	235	232	230	226	225	
	[39.6]	[3847]	[5864]	[8844]	[10,489]	[11,020]			
	150	435	663	1000	1186	1246			
		294	290	286	282	278			Max cont.
	[50.2]	[3785]	[5819]	[8782]					
	190	428	658	993					
		373	368	362					Max int.

YMV 630 [40.63 in³/rev] 666 cm³/rev. Max cont. Max int.

	[1015]	[1450]	[2030]	[2320]	[2610]	[2900]	[3045]	[3480]	[PSI]
	7	10	14	16	18	20	21	24	MPa
GPM	[7.9]	[5395]	[7783]	[11,320]	[12,417]	[14,292]	[15,742]	[16,300]	[17,564]
L/min	30	610	880	1280	1404	1616	1780	1843	1986
		43	41	38	36	34	31	30	29
	[15.9]	[5439]	[7853]	[11,816]	[12,488]	[14,398]	[15,919]		
	60	615	888	1336	1412	1628	1800		
		90	87	84	82	81	77		
	[23.8]	[5377]	[7765]	[11,771]	[12,576]	[14,504]	[16,008]		
	90	608	878	1331	1422	1640	1810		
		140	138	136	134	132	128		
	[27.7]	[5306]	[7712]	[11,727]	[12,514]	[14,433]	[15,831]		
	105	600	872	1326	1415	1632	1790		
		164	162	158	155	153	149		
	[31.7]	[5262]	[7650]	[11,586]	[12,426]	[14,372]	[15,742]		
	120	595	865	1310	1405	1625	1780		
		186	183	180	177	174	171		
	[39.6]	[5218]	[7562]	[11,515]	[12,364]				
	150	590	855	1302	1398				
		235	232	228	224				Max cont.
	[50.2]	[5183]	[7482]						
	190	586	846						
		298	292						Max int.

PERFORMANCE DATA

YMV 800 [48.87 in³/rev] 801 cm³/rev.

Max cont.

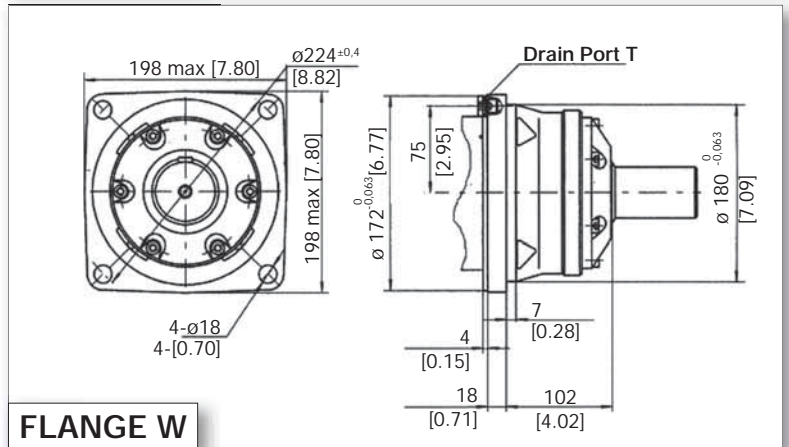
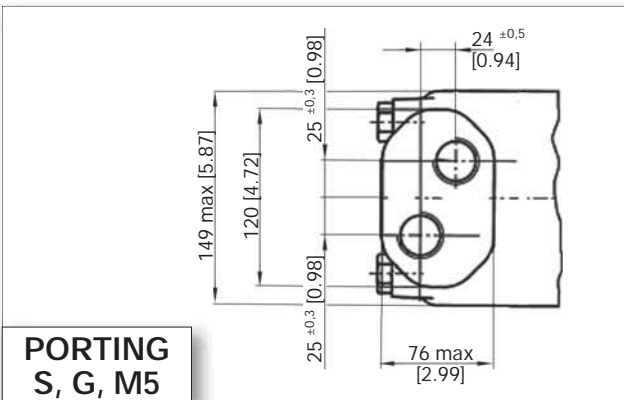
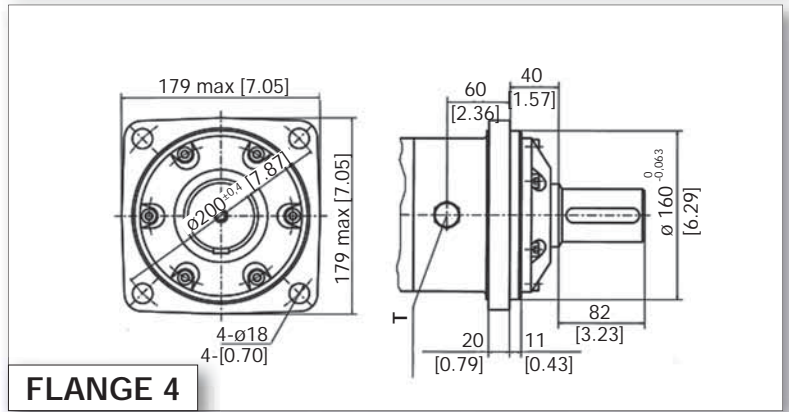
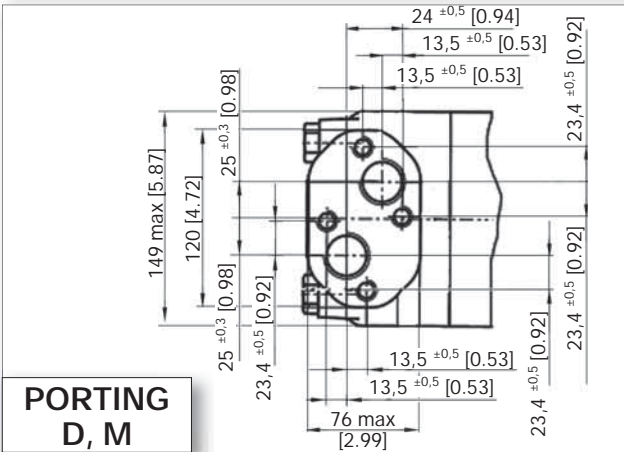
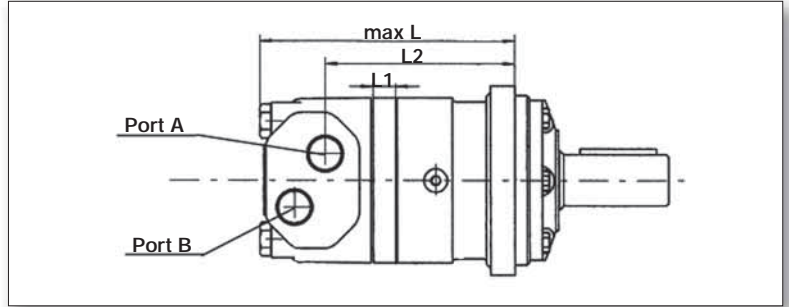
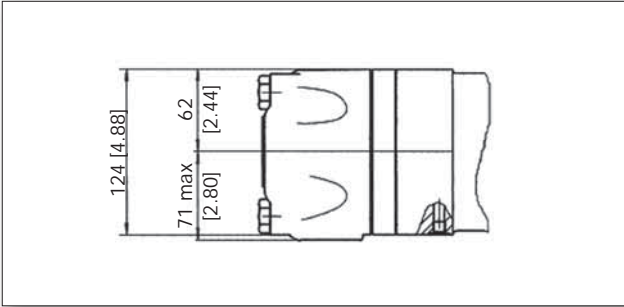
		[1015]	[1450]	[2030]	[2320]	[PSI]	
		7	10	14	16	MPa	
GPM	[7.9]	[6987]	[10,056]	[13,991]	[15,831]	TORQUE (LB-IN) TORQUE (N•M) SPEED (RPM)	
	30	790	1137	1582	1790		
L/min	[15.9]	[7093]	[10,100]	[14,062]	[16,008]		
	60	802	1142	1590	1810		
Flow (L/min)	[23.8]	[7031]	[10,038]	[13,974]	[15,919]		
	90	795	1135	1580	1800		
Flow (L/min)	[27.7]	[6960]	[9994]	[13,938]	[15,848]		
	105	787	1130	1576	1792		
Flow (L/min)	[31.7]	[6916]	[9941]	[13,699]	[15,565]		
	120	782	1124	1549	1760		
Max cont	[39.6]	[6863]	[9781]	[13,522]			Max cont.
	150	776	1106	1529	176		
Max int.	[50.2]	[6792]	[9728]			Max int.	
	190	768	1100				

YMV 1000 [60.40 in³/rev] 990 cm³/rev.

Max cont.

		[1015]	[1450]	[2030]	[2320]	[PSI]	
		7	10	14	16	MPa	
GPM	[7.9]	[8649]	[12410]	[12511]	[20075]	TORQUE (LB-IN) TORQUE (N•M) SPEED (RPM)	
	30	978	1410	1980	2270		
L/min	[15.9]	[8773]	[12576]	[17821]	[20129]		
	60	992	1422	2015	2280		
Flow (L/min)	[23.8]	[8129]	[12603]	[17715]	[20129]		
	90	987	1425	2003	2276		
Flow (L/min)	[27.7]	[8694]	[12541]	[17635]	[19837]		
	105	983	1418	1994	2243		
Flow (L/min)	[31.7]	[8623]	[12461]	[17582]	[19669]		
	120	975	1409	1988	2224		
Max cont	[39.6]	[8499]	[12099]	[16830]			Max cont.
	150	961	1368	1903			
Max int.	[50.2]	[8340]	[11833]			Max int.	
	190	943	1338				

YMV MOUNTING DATA



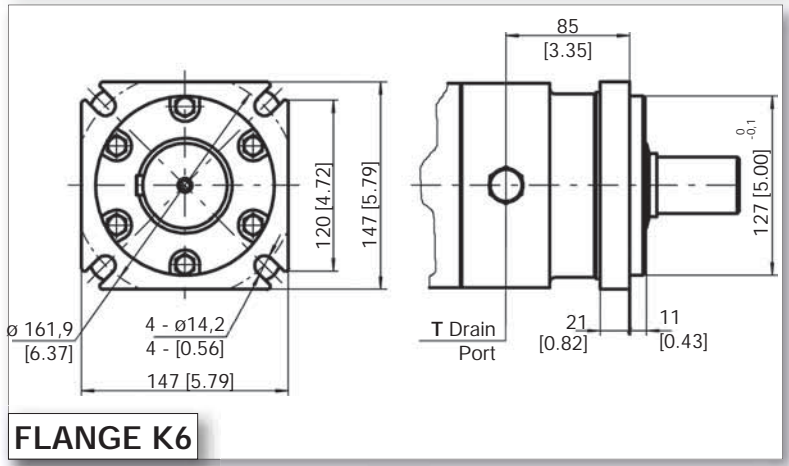
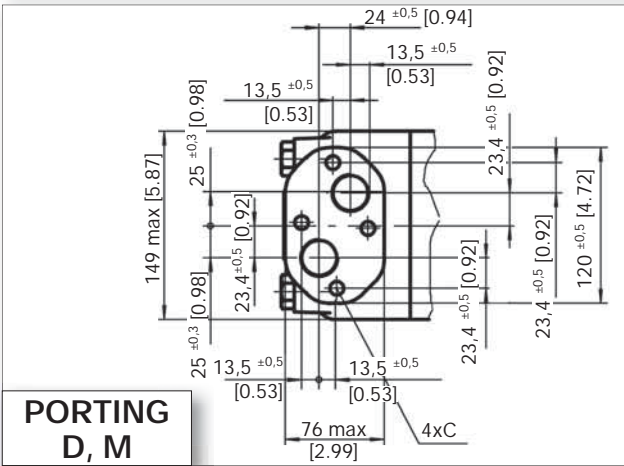
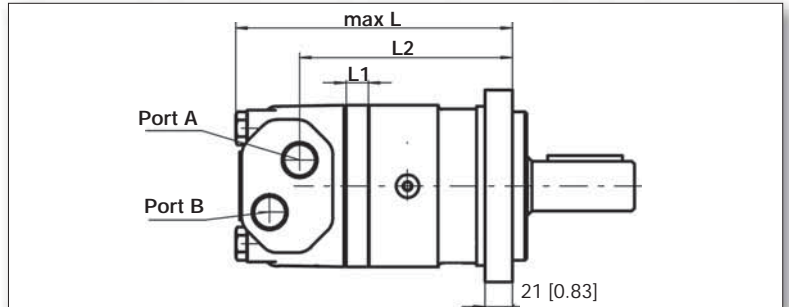
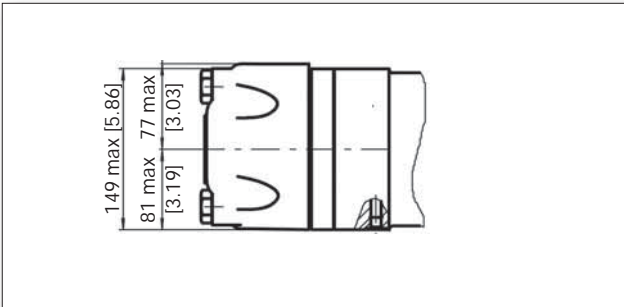
MODEL	[INCHES]			MILLIMETERS		
	L	L1	L2	L	L1	L2
YMV315	[8.55]	[0.79]	[6.36]	217	20	161.5
YMV400	[8.82]	[1.06]	[6.63]	224	27	168.5
YMV500	[9.13]	[1.38]	[6.95]	232	35	176.5
YMV630	[9.61]	[1.85]	[7.42]	244	47	188.5
YMV800	[10.04]	[2.28]	[7.85]	255	58	199.5

MODEL	[INCHES]			MILLIMETERS		
	L	L1	L2	L	L1	L2
YMWV315	[5.85]	[0.79]	[3.68]	148.5	20	93.5
YMV400	[6.12]	[1.06]	[3.96]	155.5	27	100.5
YMV500	[6.44]	[1.38]	[4.27]	163.5	35	108.5
YMV630	[6.91]	[1.85]	[4.74]	175.5	47	120.5
YMV800	[7.34]	[2.28]	[5.18]	186.5	58	131.5

PORT & DRAIN PORT ORDERING CODES

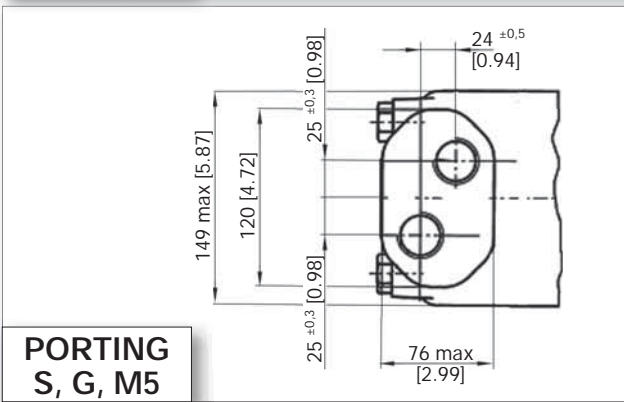
ORDER CODE	D	DEPTH	M	DEPTH	S	DEPTH	G	DEPTH	M5	DEPTH
PORTS - A and B	G 1	18 mm	M33 X 2	18 mm	1-5/16-12UN	18 mm	G 1	18 mm	M33 X 2	18 mm
TANK PORT - T	G 1/4	12 mm	M14 X1.5	12 mm	9/16-18UNF	12 mm	G 1/4	12 mm	M14X1.5	12 mm
BOLTS - C	4-M12	10 mm	4-M12	10 mm	-	-	-	-	-	-

YMVE MOUNTING DATA



**PORTING
D, M**

FLANGE K6



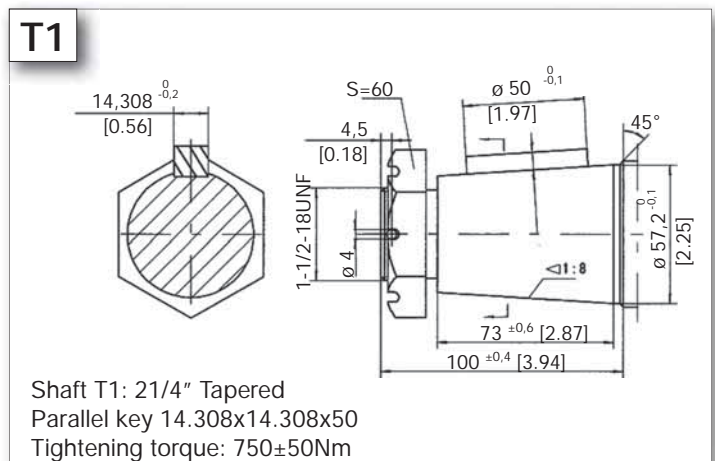
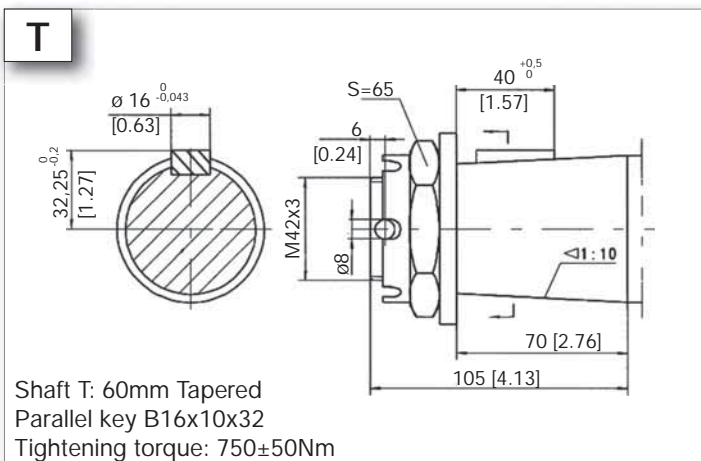
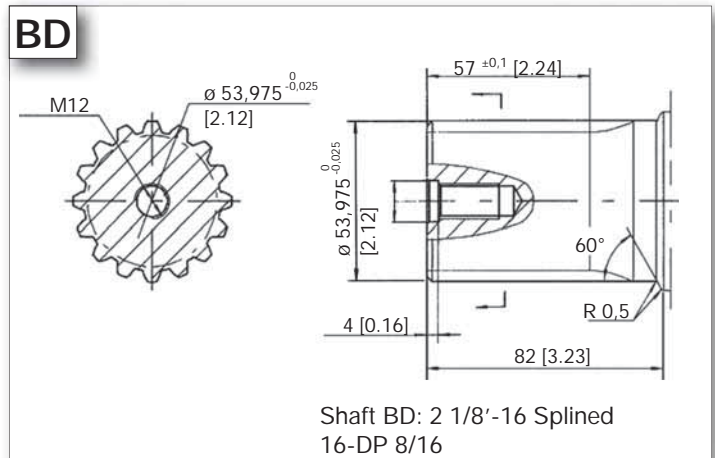
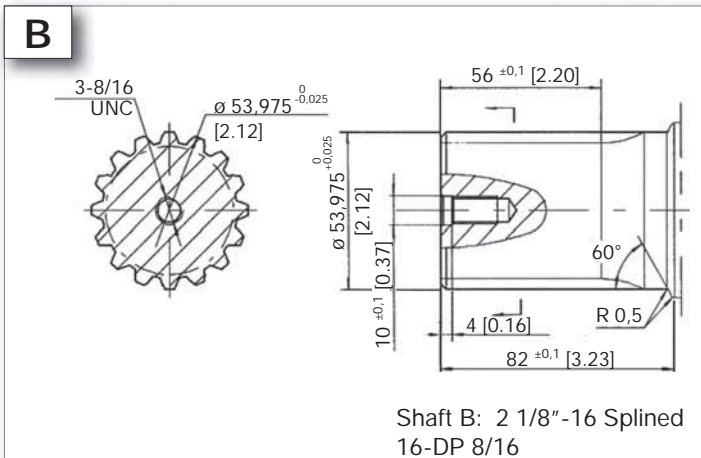
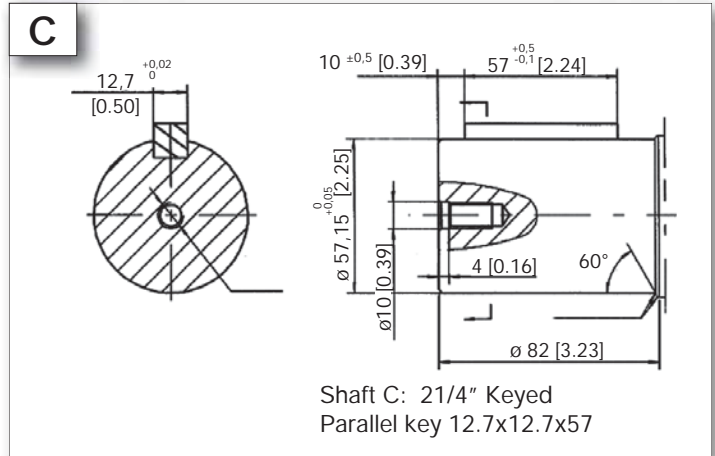
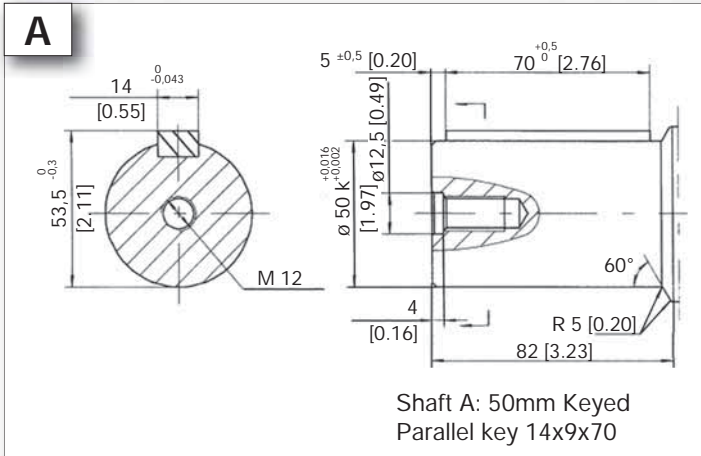
**PORTING
S, G, M5**

MODEL	[INCHES]			MILLIMETERS		
	L	L1	L2	L	L1	L2
YMVE315	[9.69]	[0.79]	[7.44]	246	20	189
YMVE400	[9.96]	[1.06]	[7.72]	253	27	196
YMVE500	[10.28]	[1.38]	[8.03]	261	35	204
YMVE630	[10.75]	[1.85]	[8.50]	273	47	216
YMVE800	[11.18]	[2.28]	[8.94]	284	58	227

PORT & DRAIN PORT ORDERING CODES

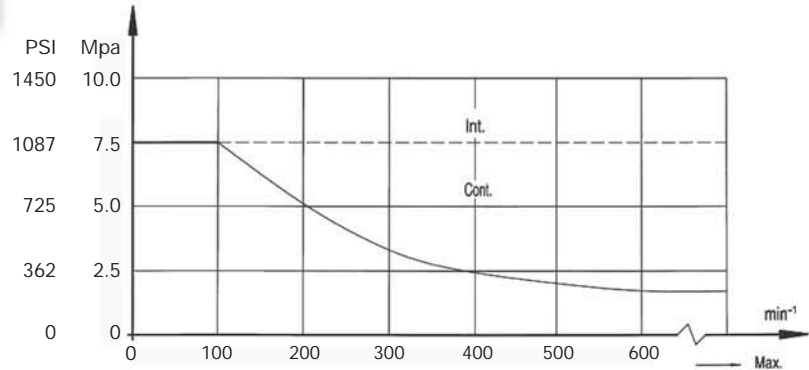
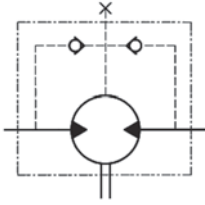
ORDER CODE	D	DEPTH	M	DEPTH	S	DEPTH	G	DEPTH	M5	DEPTH
PORTS - A and B	G 1	18 mm	M33 X 2	18 mm	1-5/16-12UN	18 mm	G 1	18 mm	M33 X 2	18 mm
TANK PORT - T	G 1/4	12 mm	M14 X1.5	12 mm	9/16-18UNF	12 mm	G 1/4	12 mm	M14X1.5	12 mm
BOLTS - C	4-M12	10 mm	4-M12	10 mm	-	-	-	-	-	-

MOTOR SHAFT EXTENSIONS



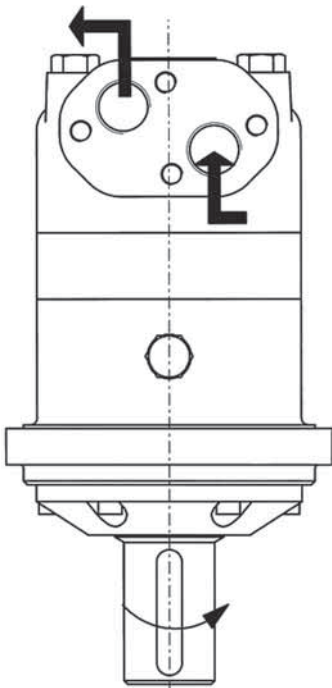
ADDITIONAL DATA

PERMISSIBLE SHAFT SEAL PRESSURE



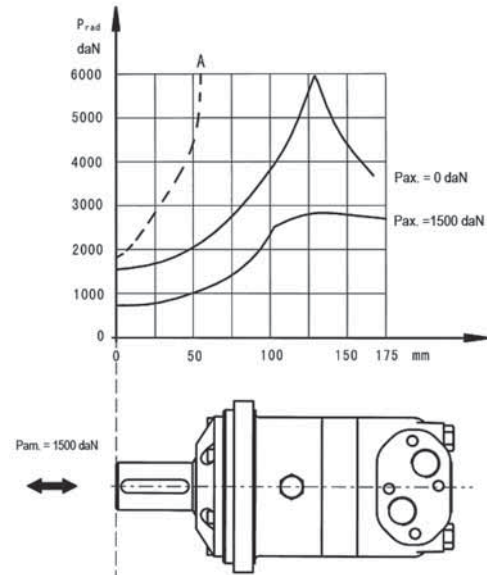
IN APPLICATIONS WITH OUT A DRAIN LINE, THE PRESSURE EXERTED ON THE SHAFT SEAL WILL EXCEED THE PRESSURE IN THE RETURN LINE. IN APPLICATIONS USING A DRAIN LINE, THE PRESSURE ON THE OUTPUT SHAFT SEAL CAN EQUAL THE PRESSURE IN DRAIN LINE.

DIRECTION OF SHAFT ROTATION



YMV

AXIAL AND RADIAL FORCES



The output shaft runs in tapered bearings that permit high axial and radial forces, Curve "A" shows max radial shaft load, Any shaft loads exceeding the values quoted in the curve will involve a risk of breakage, The two other curve supply to a B10 bearing life of 3000 hours at 200 RPM.

ORDERING INFORMATION

	1	2	3	4	5	6	7
YMV							

1	2	3	4	5		6		7	
DISP.	FLANGE	OUTPUT SHAFT	PORT AND DRAIN PORT	ROTATION DIRECTION		PAINT		SPECIAL OPTIONS	
315	4 4-Ø14.5 Square-flange, pilot Ø160×11	A Shaft:50mm Keyed , parallel key 14×9×70	D G1 Manifold 4×M12, G1/4	NONE	STANDARD	OO	NO PAINT	NONE	STANDARD
400	W 4-Ø18 Wheel- flange Ø224, pilot Ø180×10	BD Shaft: 2 1/8" Splined 16-DP8/16	M M33×2 Manifold 4×M12, M14×1.5	R	OPPOSITE	NONE	BLUE	FR	FREE RUNNING
500	K6 4-Ø14.2 Square flange Pilot ø 161.9	B Shaft: 2 1/8" Splined 16-DP8/16	S 1-5/16-12UN, 9/16- 18UNF			B	BLACK	LL	LOW LEAKAGE
630		C Shaft: 2 1/4" Keyed parallel key 12.7×12.7×57	G G1,G1/4			S	SILVER GRAY	LSV	LOW SPEED VALVE
800		T 60mm Tape- red parallel key B16×10×32	M5 M33×2, M14×1.5					CRS	CORROSIVE RESISTANT SHAFT
		T1 2 1/4" Tapered parallel key 14.308×14.308×50						HPS	HIGH PRESSURE SEAL
								HTS	HIGH TEMP SEAL

Ordering Code:

All options have been determined with letters,numbers or combinations.All boxes must be filled with proper codes.If specification is not in the table,please contact us with your requirements.